

Hustler[®] X-One CE Parts Manual



HUSTLER[®]

•••••

Excel Industries, Inc.

••••

200 S. Ridge Road

•••

Hesston, Kansas

•

67062

Table of Contents

General Information

Service Literature	1-1
Options Available From Your Dealer.	1-1
Using This Manual	1-1
Standard Torques	1-2

Section 2

Frame	2-2
Footrest.	2-4
Engine Guard	2-6

Section 3

Hydraulic System	3-2
Reservoir Breakdown	3-4
LS Pump Breakdown	3-6
RS Pump Breakdown	3-8
Hydraulic Pump Service Parts	3-10
Wheel Motor Breakdown.	3-12
Steering.	3-14
Steering Cover Sub-Assembly	3-16
Steering Box Breakdown.	3-22
Pump Drive	3-24
Brake.	3-26

Section 4

Wheel & Tire	4-2
Front Wheel Breakdown	4-4
Front Tire	4-6
Drive Wheel Breakdown	4-8

Section 5

Engine, Kawasaki FX691V	5-2
Engine, Kawasaki FX730V	5-6
Engine Service Parts, Kawasaki.	5-10
Fuel System	5-12
Fuel System Service Parts	5-14

Section 6

Battery.	6-2
Instrument Panel	6-4

Section 7

54" Side Discharge Service Deck	7-2
54" Side Discharge Deck Pulleys & Spindles	7-4
54" Side Discharge Deck	7-6
Side Discharge Deck Lift.	7-8
Side Discharge Deck Mounting Hardware	7-10
54" Rear Discharge Service Deck.	7-12
54" Rear Discharge Deck Pulleys & Spindles.	7-14

54" Rear Discharge Deck	7-16
54" Rear Discharge Deck Dust Shield	7-18
Rear Discharge Deck Lift	7-20
Rear Discharge Deck Mounting Hardware	7-22

Section 8

Seat	8-2
Seat Service Parts	8-4
ROPS	8-6

General Information

This manual covers Hustler® X-One models **930529CE & 930552CE with Serial Numbers 14030001 & Higher.**

Service Literature

PART NO.	DESCRIPTION
604909CE	OPERATOR'S MANUAL
113874	X-ONE SERVICE MANUAL
113856EX	WARRANTY STATEMENT

Options Available From Your Dealer

PART NO.	DESCRIPTION	PART NO.	DESCRIPTION
603162	FLEX FORK	113901	54" CATCHER ADAPTER KIT
114324	HITCH KIT	931766	BAC-VAC CATCHER
117147	LIGHT KIT	932111CE	3-BAG CATCHER
113721	54" DECK MULCH KIT	113932	HYDRAULIC DECK LIFT KIT
113907	54" SAND KIT	353961	STEERING LEVER EXTENSION KIT
113910	SINGLE REAR ANTI-SCALP	116841	STRIPE KIT
113911	DUAL REAR ANTI-SCALP	116304	VX4 54" DECK HIGH VACUUM KIT
789537	SEMI-PNEUMATIC TIRE		

Note: When ordering parts, you must use the part number as shown for each part, not the index number. Always give the model and serial number to your parts and service representative.

Note: Items sold in bulk such as seals and hoses are sold by the foot.

Using This Manual

This manual is part of a service package for the Hustler® mowers. Use of this manual in conjunction with other Hustler® mower and component manuals will provide the information necessary to service and maintain Hustler® mowers.

This Parts Manual provides a complete parts listing for the unit. Use this manual when ordering parts. Illustrations used were current at the time of printing, but subsequent production changes may cause your machine to vary slightly in detail. Excel Industries, Inc. reserves the right to redesign and change the machine as deemed necessary, without notification. If a change has been made to your machine which is not reflected in this parts manual, see your authorized dealer for current information and parts.

The Service Manual is a service guide for use by Service Technicians. It provides the necessary information needed to perform normal maintenance requirements on these units.

The Operator's Manual provides fundamental operational information and operational safety that is needed when operating the mower.

The component manuals are furnished by the various manufacturers to be used for the troubleshooting and servicing of their products.

Hardware Description Codes & Abbreviations

The following codes are used throughout this parts manual. Refer to this list when ordering parts.

ABBREVIATION	DESCRIPTION	ABBREVIATION	DESCRIPTION
CB	CARRIAGE BOLT	MB	MACHINE BUSHING
CE	CLEVIS PIN	MS	MACHINE SCREW
CN	CLIP NUT	NT	NUT
CP	COTTER PIN	SC	SELF TAPPING CAP SCREW
CS	CAP SCREW	SH	SOCKET HEAD
CW	CUP WASHER	SB	SHOULDER BOLT
FDRW	FENDER WASHER	SS	SET SCREW
FW	FLAT WASHER	OD	OUTSIDE DIAMETER
HX	HEX HEAD	ID	INSIDE DIAMETER
LW	LOCK WASHER		

Standard Torques

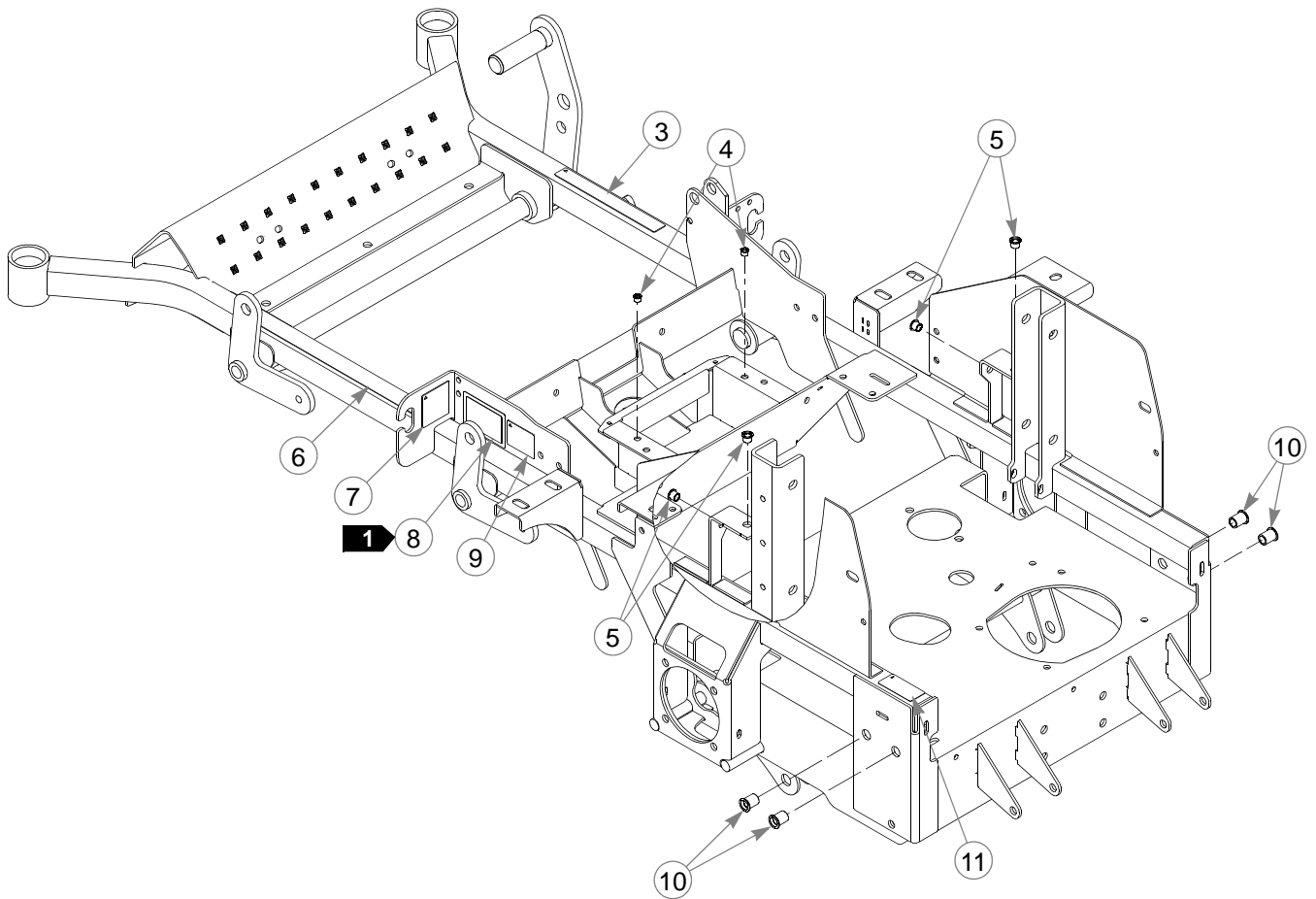
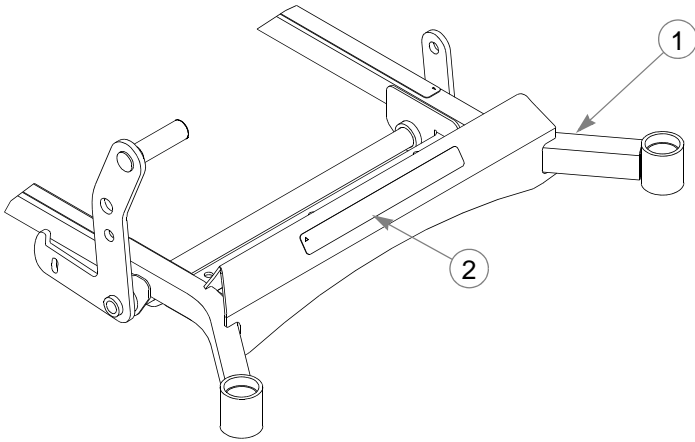
The following chart lists the standard torque values for the threaded fasteners found in this manual. Torque all cap screws, nuts and set screws to these values unless a different torque is shown in the Notes section next to the fastener.

SIZE	FT-LBS	N-M	SIZE	FT-LBS	N-M
.250	8.2	11.1	M3	1	1.3
.312	17	23	M4	2.2	3
.375	30	40	M5	4.5	6.1
.438	48	65	M6	7.7	10.4
.500	73	99	M8	18.5	25
.562	105	143	M10	37	50
.625	145	200	M12	64	87
.750	260	350	M14	80	108.5
.875	420	565	M16	160	215
1.00	625	850	M20	320	435
			M24	555	750

Section 2

Frame	2-2
Footrest	2-4
Engine Guard.....	2-6

Frame



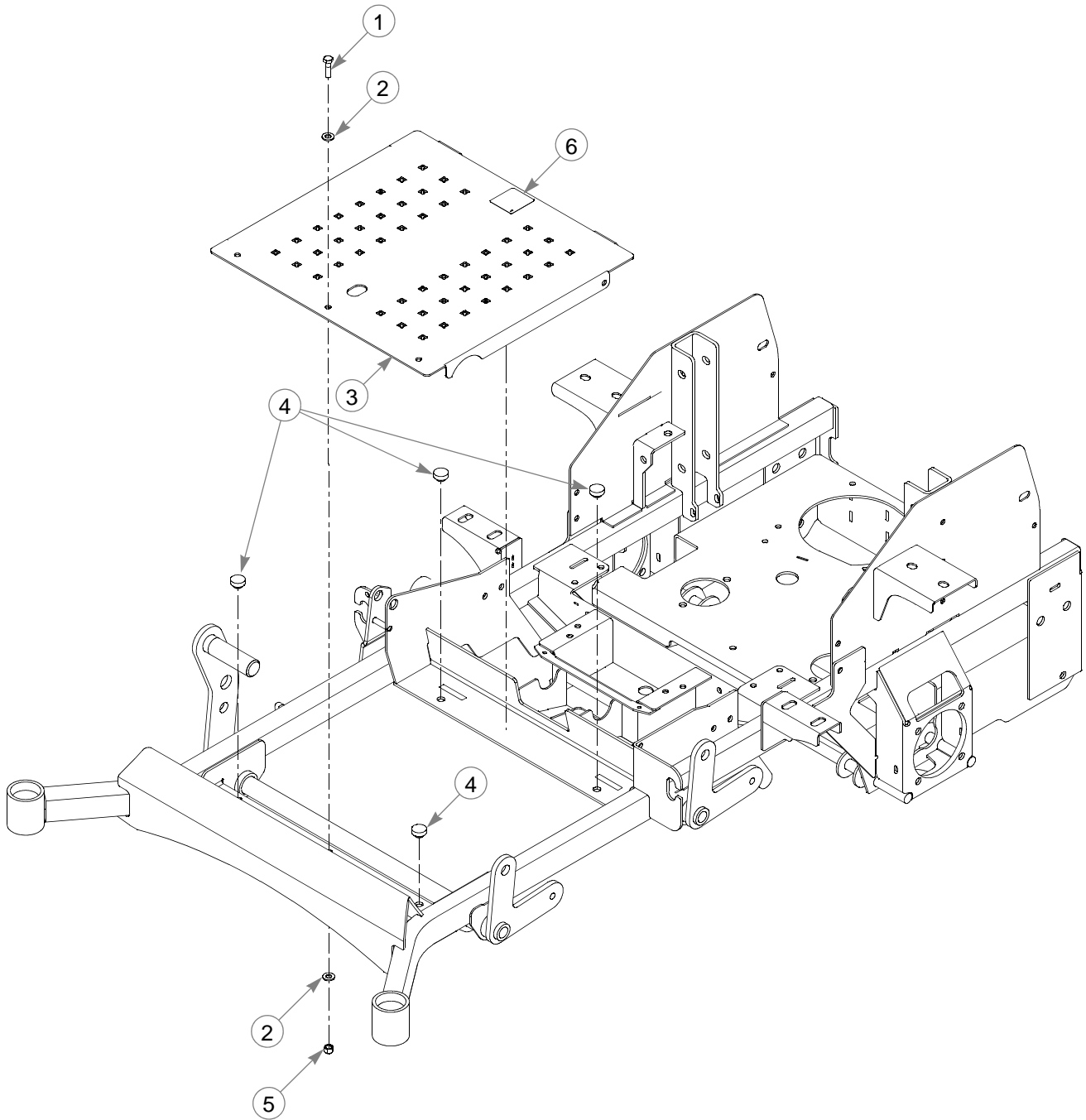
Frame

INDEX NO.	PART NO.	QTY.	DESCRIPTION
1	550746	1	54" FRAME, SIDE DISCHARGE (WITH DECALS & RIVET NUTS)
	550847	1	54" FRAME, REAR DISCHARGE (WITH DECALS & RIVET NUTS)
2	602407	1	HUSTLER ID DECAL
3	781427CE	1	DECK HEIGHT INDICATOR DECAL
4	808477	2	1/4-20 THREAD RIVET NUT
5	808493	4	3/8-16 THREAD RIVET NUT
6	601993	1	SAFE OPERATION DECAL
7	789776CE	1	CE 105 DBA LIMIT DECAL
8	N/A	1	SERIAL NUMBER / SPEC DECAL
9	776310	1	CE MARK DECAL
10	600961	4	1/2-13 THREAD RIVET NUT
11	602041	1	HOT DECAL

NOTES:

1. In the event the serial number tag becomes damaged or illegible, please contact your Hustler dealer to order a replacement.

Footrest

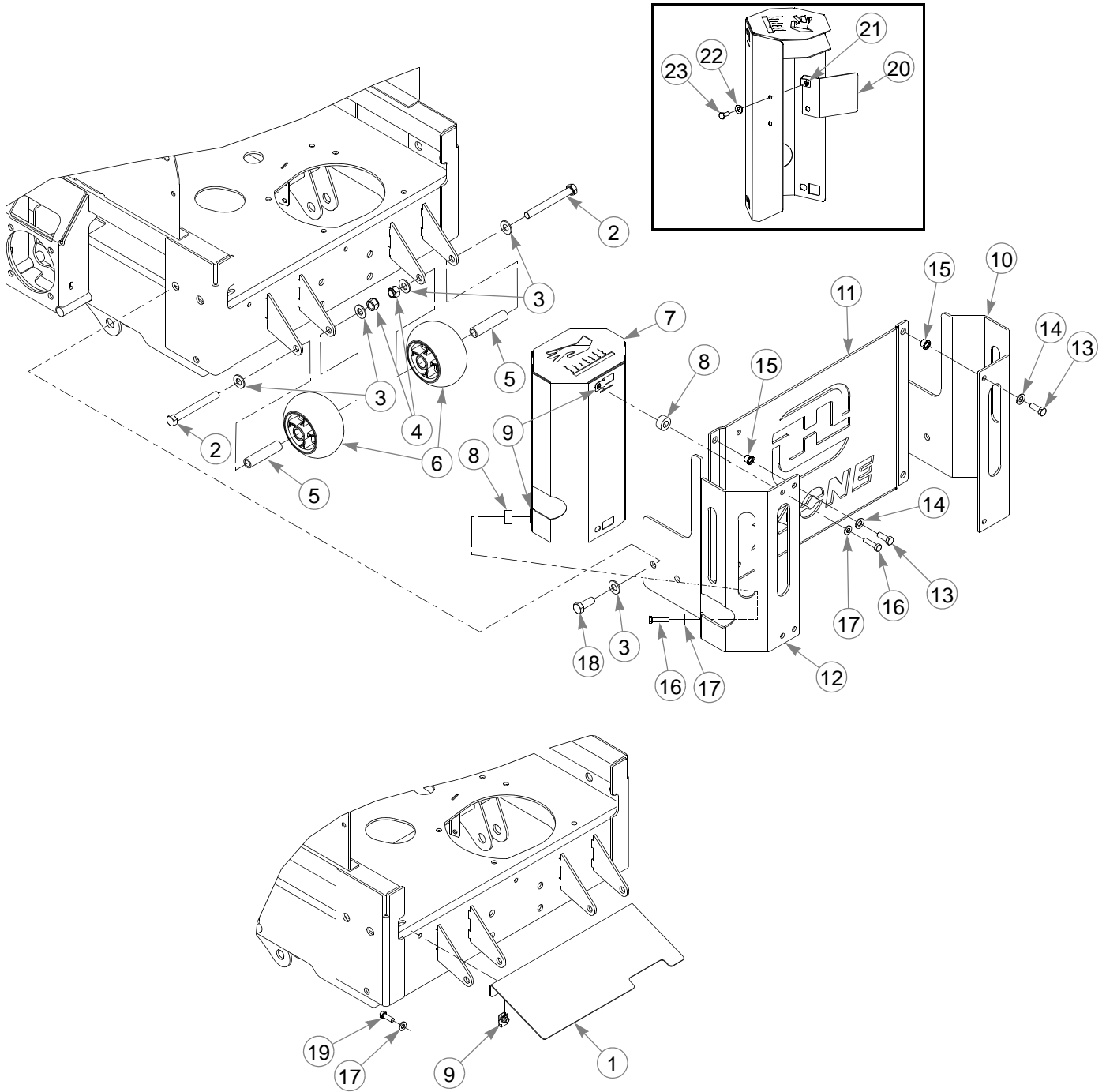


Footrest

INDEX NO.	PART NO.	QTY.	DESCRIPTION
1	052860	1	CS .375-16 X 1.25 HX G5
2	767954	2	FW .406 X .812 X .060 SAE
3	113234	1	FLOOR PAN
4	781880	4	BUMPER
5	086660	1	NT .375-16 HX ZY NL
6	602562	1	NO SERVICE DECAL

NOTES:

Engine Guard



Engine Guard

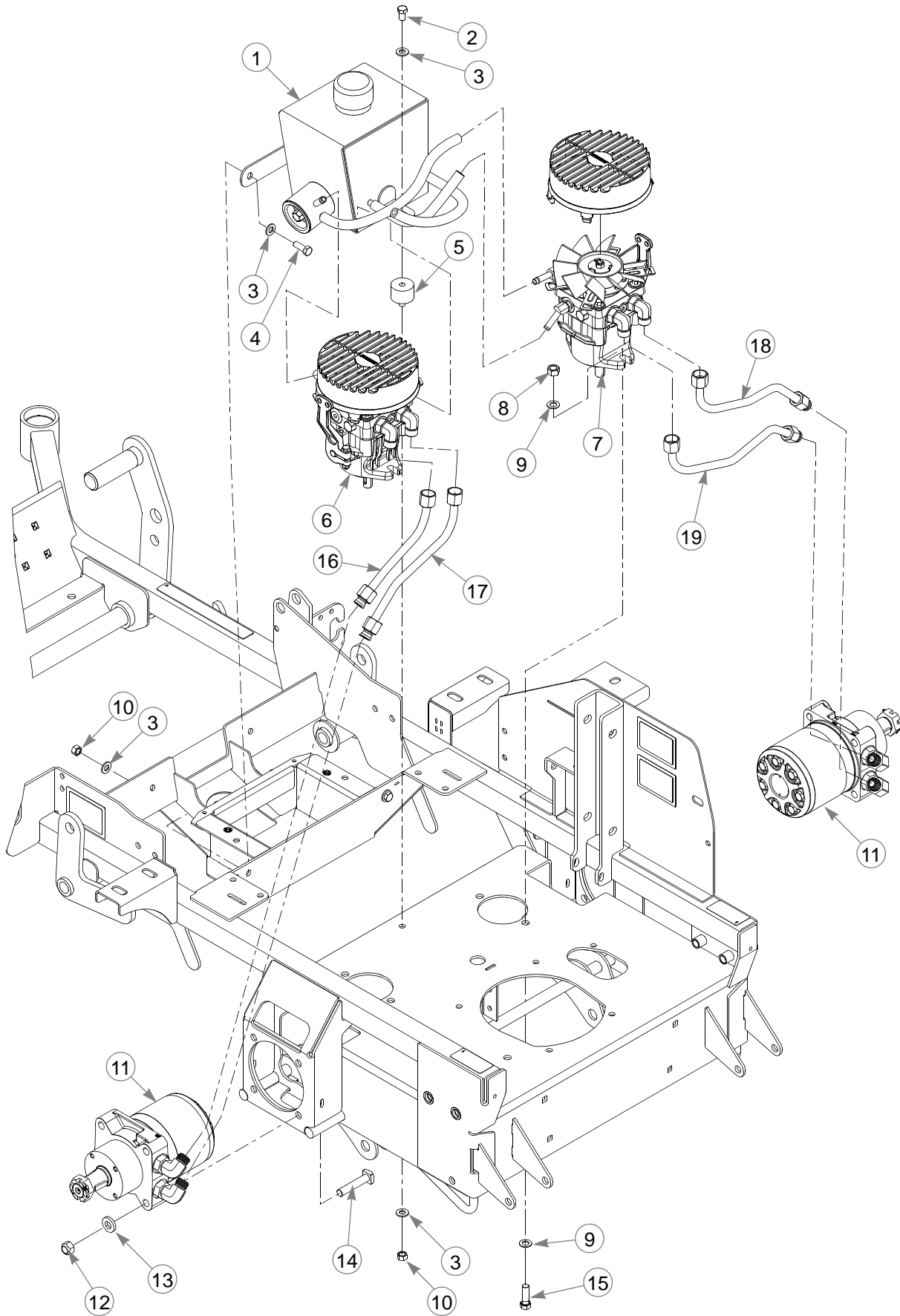
INDEX NO.	PART NO.	QTY.	DESCRIPTION
1	113858	1	DEFLECTOR
2	068239	2	CS .500-13 X 4.50 HX G5
3	767962	8	FW .531 X 1.063 X .090 SAE
4	781567	2	NT .500-13 HX G8 ZY NL
5	602345	2	SPACER 3.22
6	602263	2	PLASTIC WHEEL
7	113704	1	SHIELD
8	603076	4	SHIELD SPACER
9	601069	6	CN .312-18 X .20 MAX THK
10	113371	1	RS ENGINE GUARD
11	551168	1	CENTER BUMPER
12	113372	1	LS ENGINE GUARD
13	036244	4	CS .375-16 X 1.00 HX G5
14	767954	4	FW .406 X .812 X .060 SAE
15	808493	4	3/8-16 THREAD RIVET NUT
16	079186	4	CS .312-18 X 1.25 HX G5
17	768523	6	FW .343 X .687 X .051/.080H
18	705954	4	CS .500-13 X 1.25 HX G5 ZN
19	064014	2	CS .312-18 X .875 HX G5 ZN
20	113964	1	CABLE SHIELD
21	601982	2	CN .250-20 X .15 MAX THK
22	768515	2	FW .281 X .625 X .051/.080H
23	064329	2	CS .250-20 X .625 HX G5

NOTES:

Section 3

Hydraulic System	3-2
Reservoir Breakdown	3-4
LS Pump Breakdown	3-6
RS Pump Breakdown	3-8
Hydraulic Pump Service Parts	3-10
Wheel Motor Breakdown	3-12
Steering	3-14
Steering Cover Sub-Assembly	3-16
Steering Box Breakdown	3-22
Pump Drive	3-24
Brake	3-26

Hydraulic System

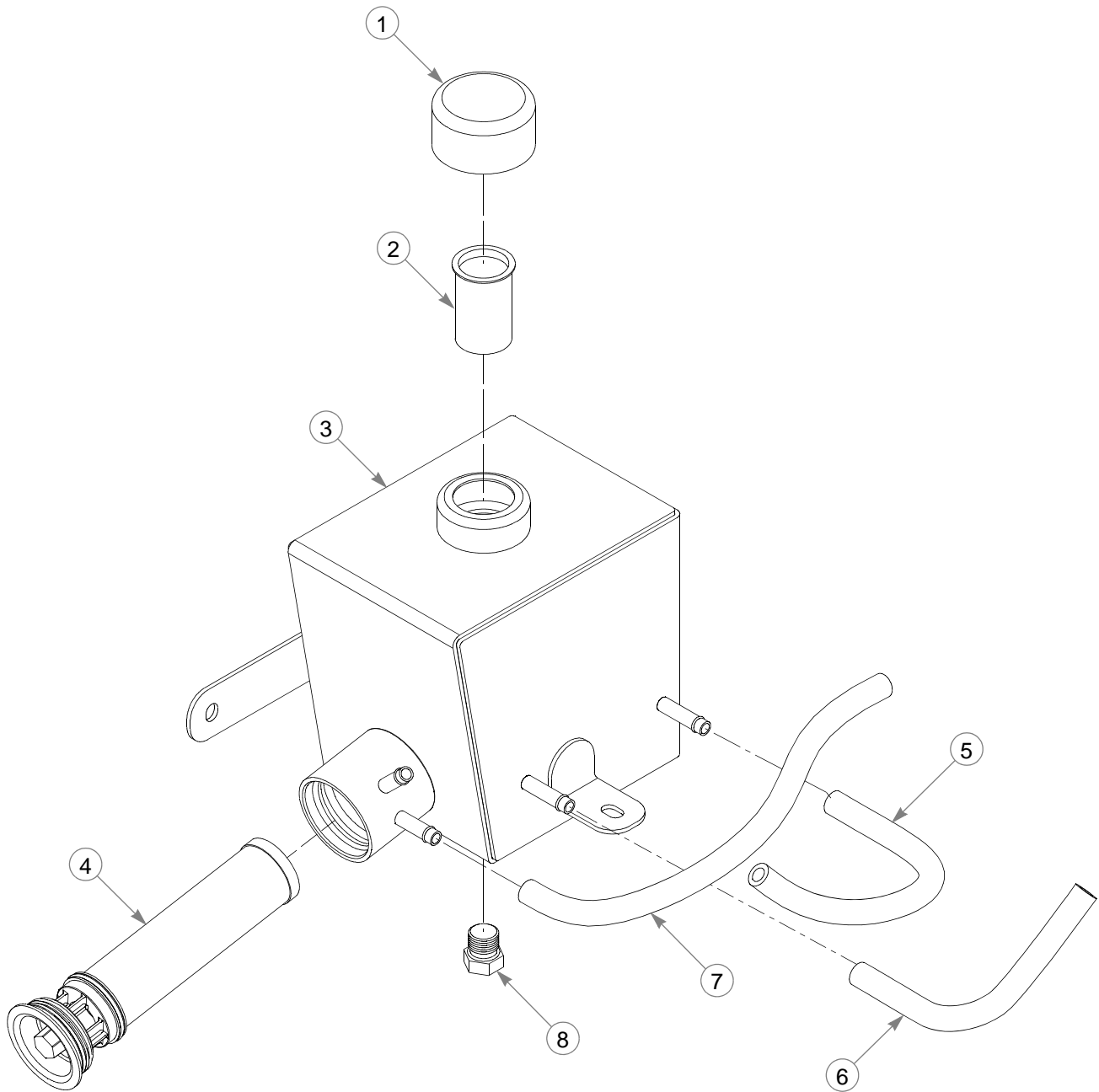


Hydraulic System

INDEX NO.	PART NO.	QTY.	DESCRIPTION
1	N/A	1	RESERVOIR SUB-ASSEMBLY
2	056069	1	CS .375-16 X .625 HX G5
3	767954	6	FW .406 X .812 X .060 SAE
4	036244	2	CS .375-16 X 1.00 HX G5
5	601571	1	VIBRATION MOUNT
6	N/A	1	LS PUMP SUB-ASSEMBLY
7	N/A	1	RS PUMP SUB-ASSEMBLY
8	041707	4	NT .437-14 HX G5 ZNYC
9	704742	8	FW .453 X .812 X .060 ZNYC
10	054502	3	NT .375-16 HX G5 ZNY
11	N/A	2	MOTOR SUB-ASSEMBLY
12	023317	8	NT .500-13 UNT LK G8 ZN
13	767962	8	FW .531 X 1.063 X .090 SAE
14	602256	8	CS .500-13 X 2.50 SQ G5
15	705186	4	CS .437-14 X 1.375 HX G5
16	603015	1	TUBE, LP-TM LT LOOP
17	603016	1	TUBE, RP-BM LT LOOP
18	603013	1	TUBE, RP-BM RT LOOP
19	603014	1	TUBE, LP-TM RT LOOP

NOTES:

Reservoir Breakdown

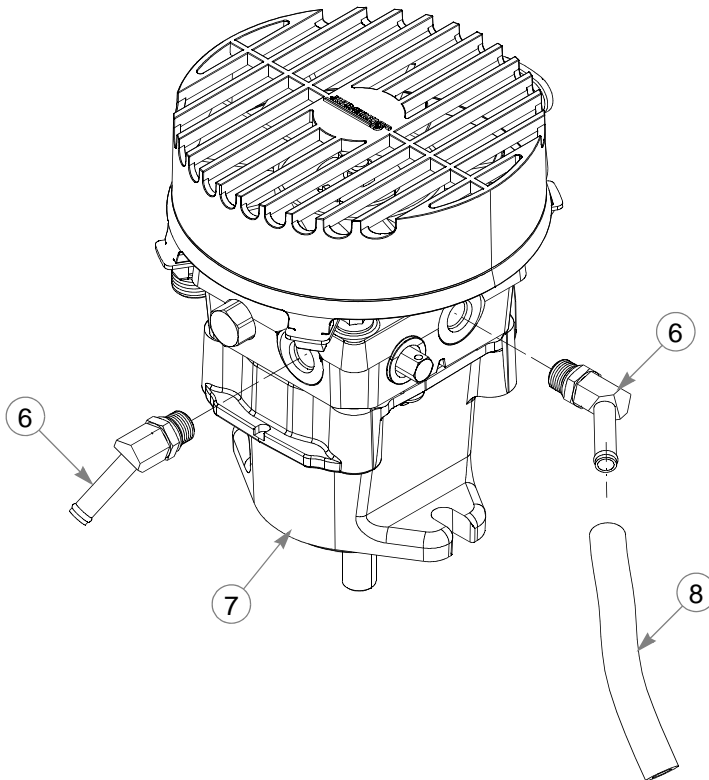
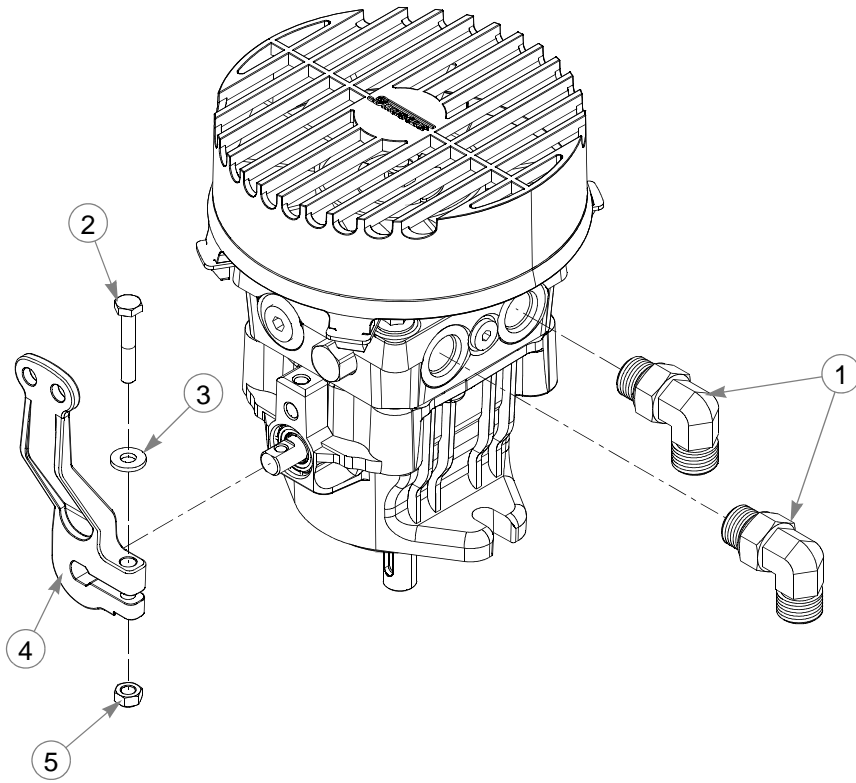


Reservoir Breakdown

INDEX NO.	PART NO.	QTY.	DESCRIPTION
1	032763	1	BREATHER CAP
2	032771	1	STRAINER
3	602896	1	HYDRAULIC RESERVOIR
4	601413X	1	HYDRAULIC FILTER ELEMENT
5	602994	1	LEFT PUMP RETURN HOSE
6	602995	1	RIGHT PUMP RETURN HOSE
7	602993	1	RIGHT PUMP SUCTION HOSE
8	781658	1	FTG, -8 MORB HEX PLUG

NOTES:

LS Pump Breakdown

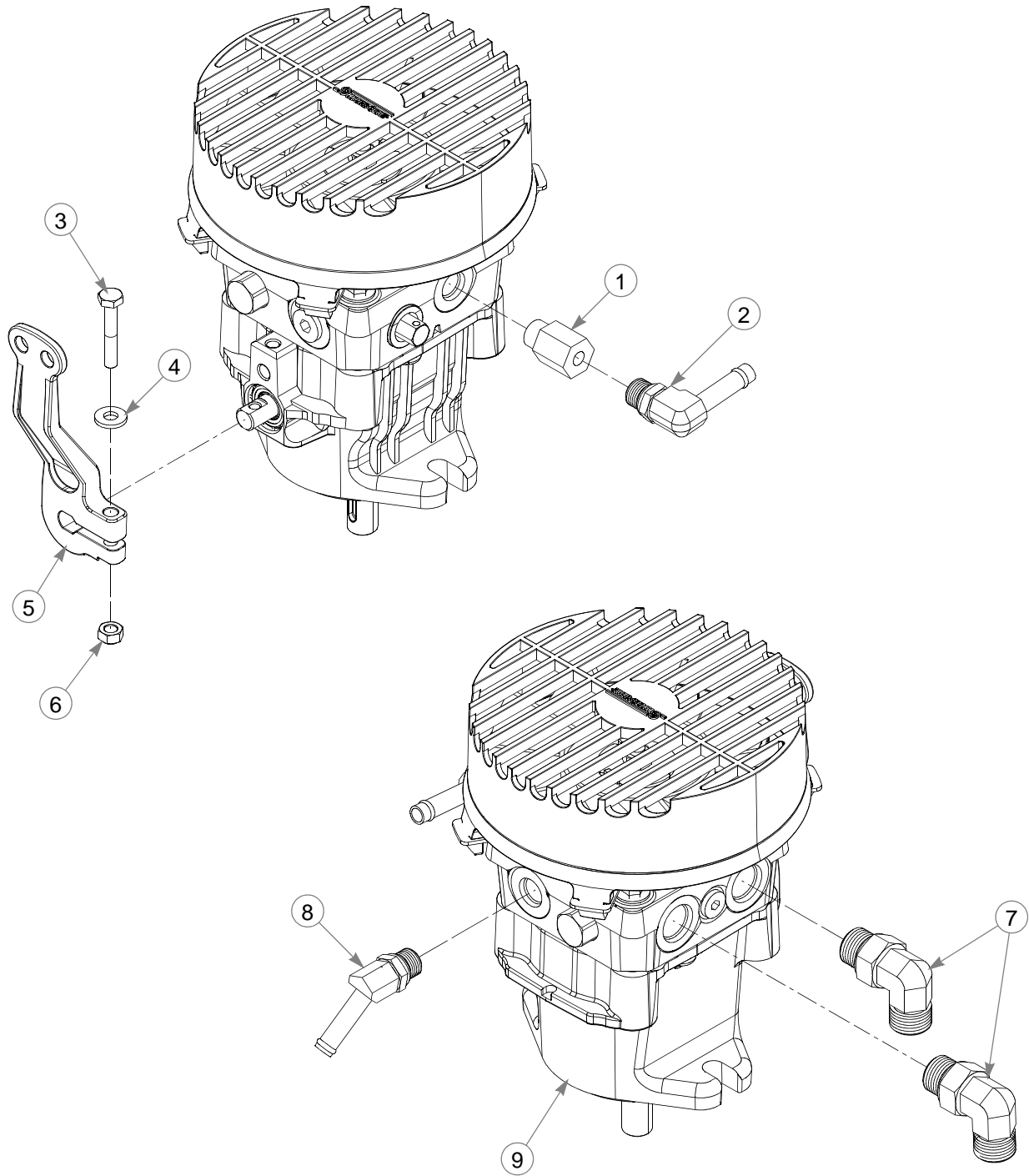


LS Pump Breakdown

INDEX NO.	PART NO.	QTY.	DESCRIPTION
1	781542	2	FTG, 90°-8MORB/-8MORFS
2	008581	1	CS .250-20 X 1.50 HX G5
3	768515	1	FW .281 X .625 X .051/.080H
4	603200	1	PUMP ARM
5	068551	1	NT .250-20 HXZY NL
6	784108	2	FTG, 45°-6MORB/-6BT
7	601133	1	LS HYDRO PUMP 12CC W/FAN
8	602992	1	LEFT PUMP SUCTION HOSE

NOTES:

RS Pump Breakdown

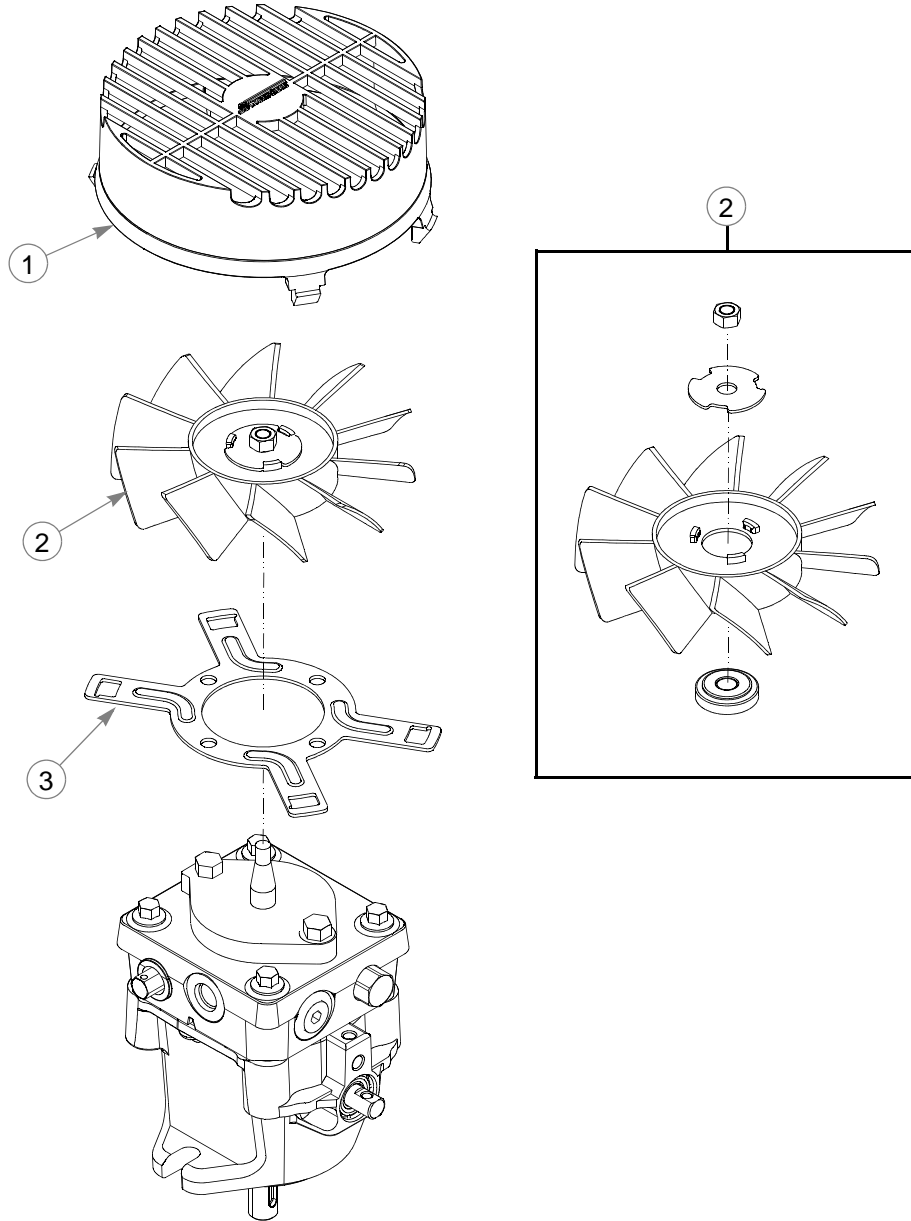


RS Pump Breakdown

INDEX NO.	PART NO.	QTY.	DESCRIPTION
1	600881	1	FTG, STR-6MORB/-6FORB
2	787465	1	FTG, 90°-6MORB/-6BT
3	008581	1	CS .250-20 X 1.50 HX G5
4	768515	1	FW .281 X .625 X .051/.080H
5	603200	1	PUMP ARM
6	068551	1	NT .250-20 HXZY NL
7	781542	2	FTG, 90°-8MORB/-8MORFS
8	784108	1	FTG, 45°-6MORB/-6BT
9	601134	1	RS HYDRO PUMP 12CC W/FAN

NOTES:

Hydraulic Pump Service Parts

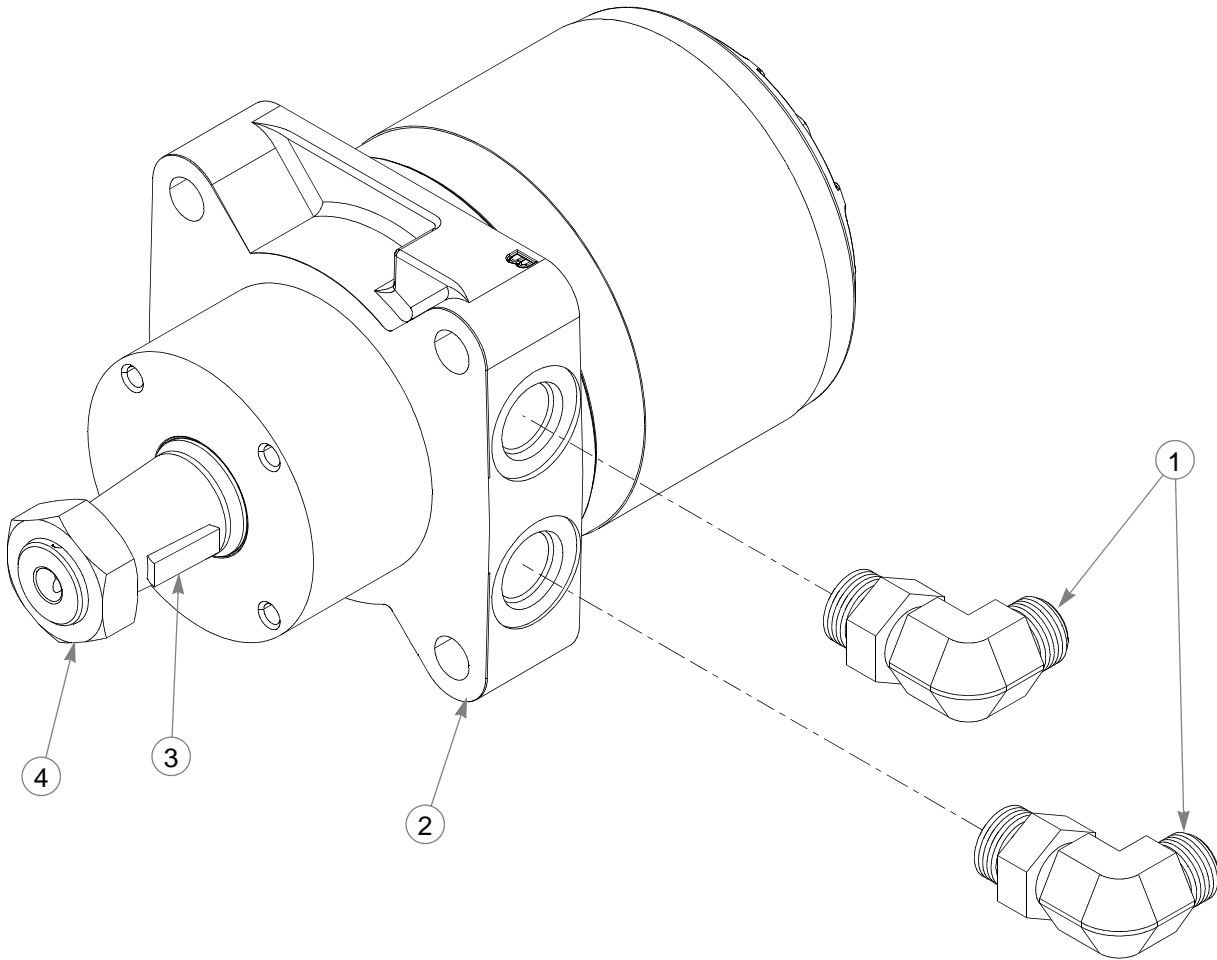


INDEX NO.	PART NO.	QTY.	DESCRIPTION
1	601877	1	PUMP FAN SHROUD
2	601878	1	PUMP FAN KIT
3	601879	1	PUMP SHROUD BRACKET
4	780718	1	PUMP SEAL KIT (NOT SHOWN)

NOTES:

This page intentionally left blank.

Wheel Motor Breakdown

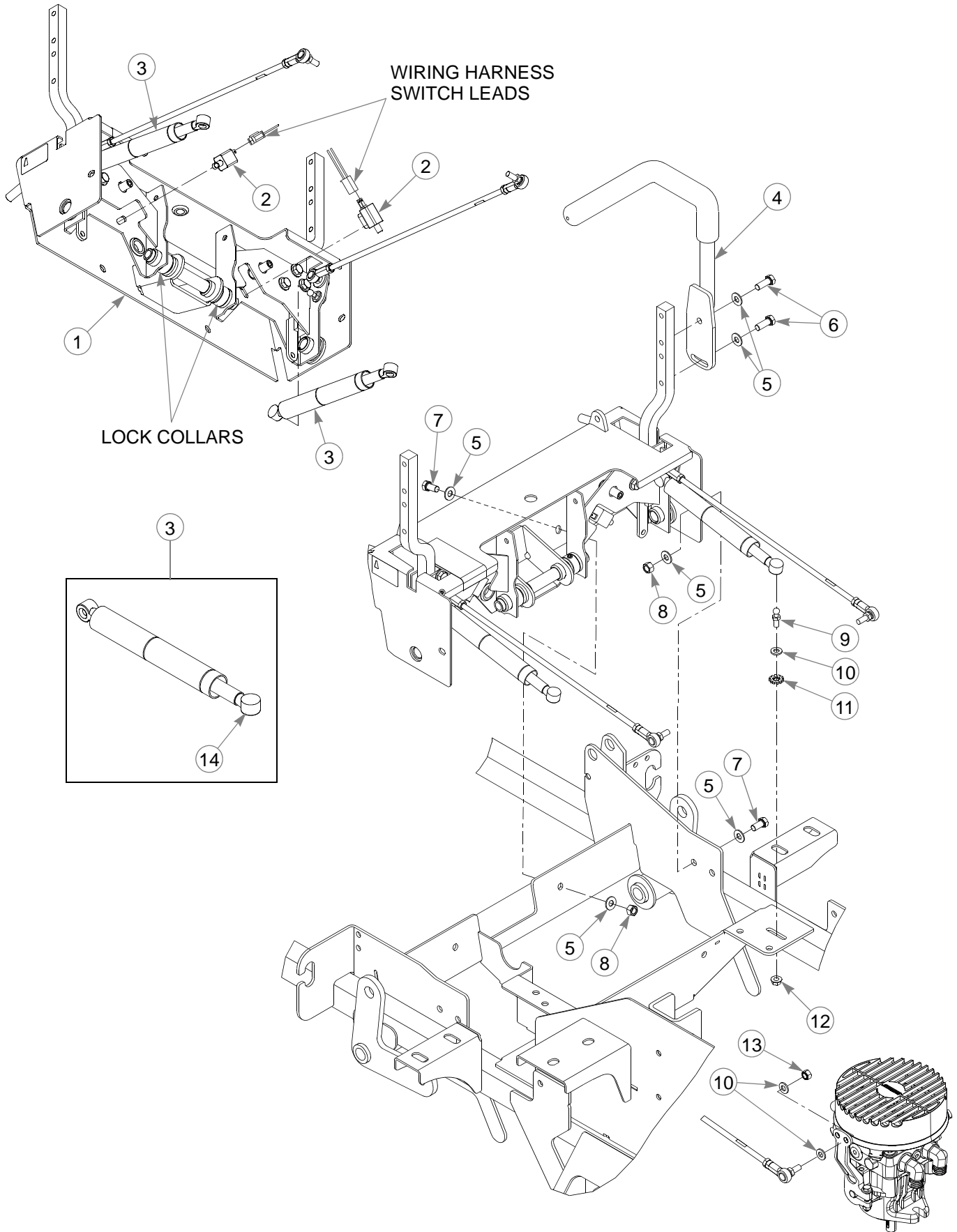


Wheel Motor Breakdown

INDEX NO.	PART NO.	QTY.	DESCRIPTION
1	781526	2	FTG, 90°-10 MORB/-8 MORFS
2	602382	1	MOTOR
3	064337	1	WOODRUFF KEY
4	065516	1	CASTLE NUT
5	748806	1	SEAL KIT (NOT SHOWN)

NOTES:

Steering

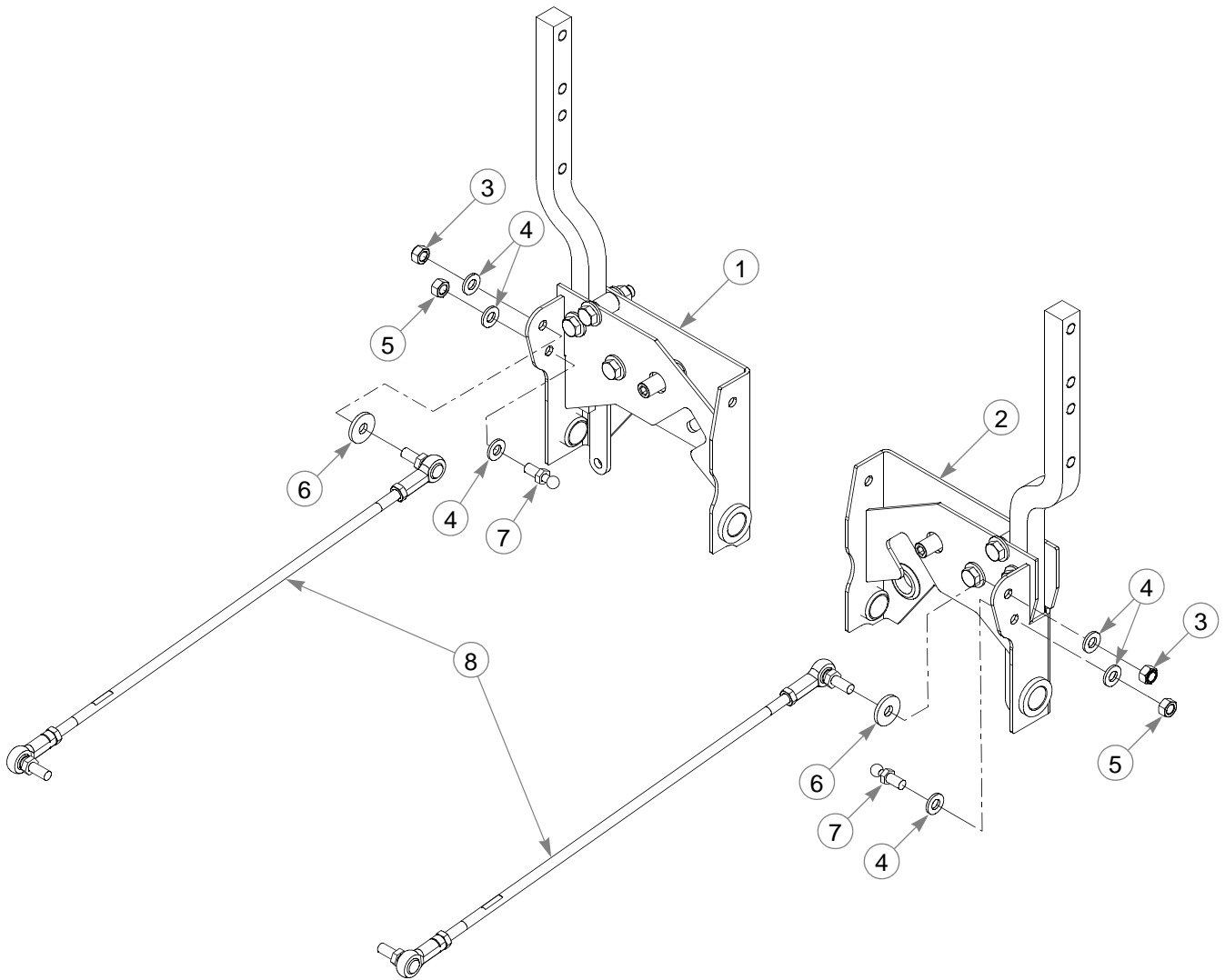


Steering

INDEX NO.	PART NO.	QTY.	DESCRIPTION
1	N/A	1	STEERING COVER SUB-ASSEMBLY
2	601087	2	SWITCH
3	795351	2	DAMPER
4	109839	2	HANDLE (WITH GRIP)
	781260	1	STEERING BAR GRIP
5	767954	12	FW .406 X .812 X .060 SAE
6	036244	4	CS .375-16 X 1.00 HX G5
7	055822	4	CS .375-16 X .75 HX G5
8	054502	4	NT .375-16 HX G5 ZNY
9	781922	2	BALL STUD
10	768523	6	FW .343 X .687 X .051/.080H
11	029876	2	LW .312 INT-EXT TOOTH
12	016832	2	NT .312-18 HX FLK ZNYC
13	023655	2	NT .312-24 HX NL ZN
14	601426	1	CAP LOCK

NOTES:

Steering Cover Sub-Assembly

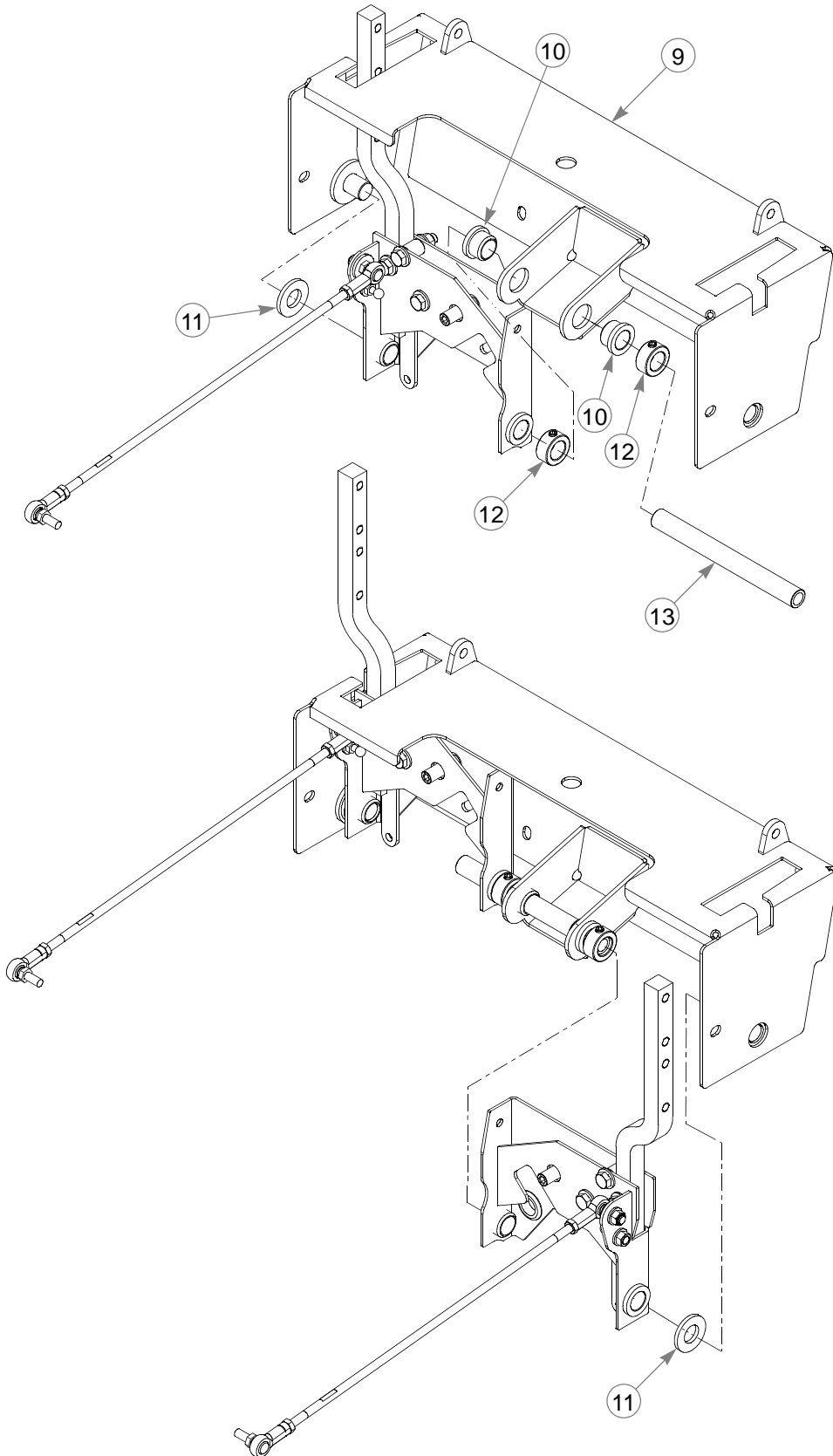


Steering Cover Sub-Assembly

INDEX NO.	PART NO.	QTY.	DESCRIPTION
1	N/A	1	LS STEERING BOX
2	N/A	1	RS STEERING BOX
3	023655	2	NT .312-24 HX NL ZN
4	768523	6	FW .343 X .687 X .051/.080H
5	034272	2	NT .312-18 HX G5 ZNYC
6	712927	2	FW .344 X 1.00 X .12 HRD Z
7	781922	2	BALL STUD
8	781286	2	PUMP ROD ADJUSTER

NOTES:

Steering Cover Sub-Assembly

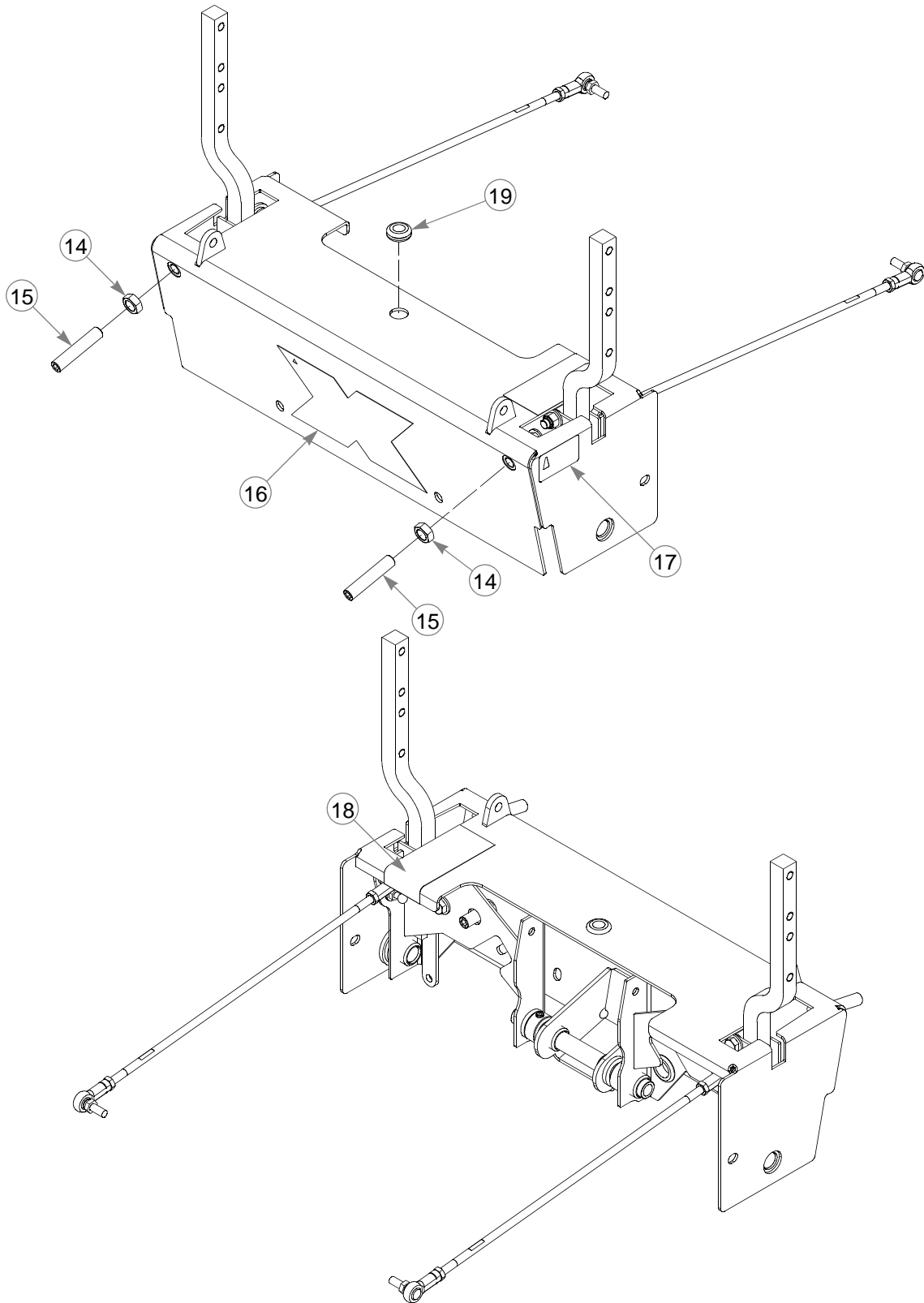


Steering Cover Sub-Assembly

INDEX NO.	PART NO.	QTY.	DESCRIPTION
9	113221	1	STEERING COVER
10	781153	2	BUSHING
11	603078	2	FW .750 X 1.50 X .156 ZN
12	784439	2	LOCK COLLAR 0.757 ID
13	113365	1	STEER PIVOT TUBE

NOTES:

Steering Cover SubAssembly

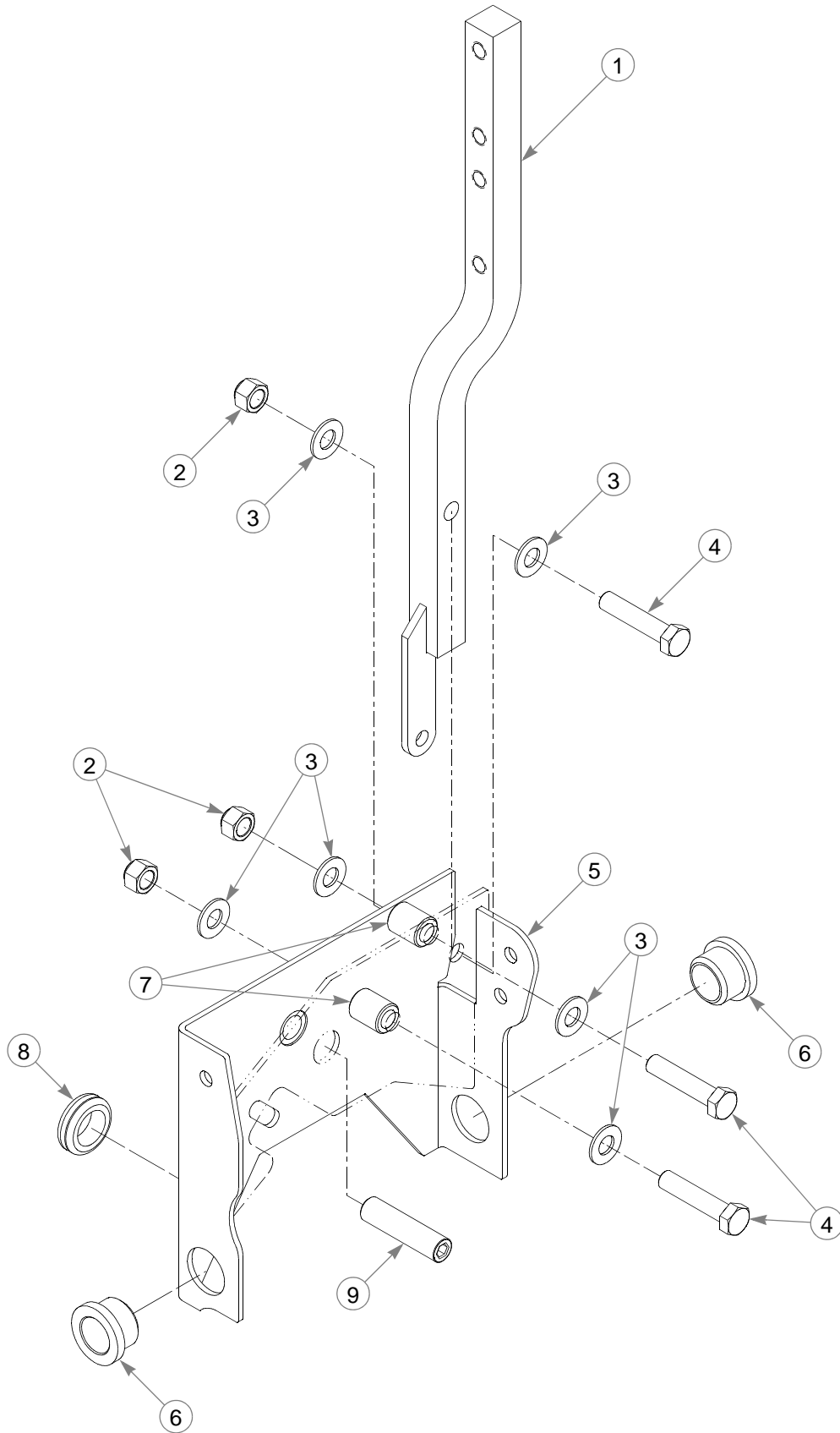


Steering Cover SubAssembly

INDEX NO.	PART NO.	QTY.	DESCRIPTION
14	053199	2	NT .500-13 HX JAM ZNYC
15	603055	2	SS 1/2-13 X 2.50 SH ZNYC
16	603106	1	X-ONE ID DECAL
17	727172	1	MADE IN USA DECAL
18	722199	14 cm	WEAR TAPE
19	080358	1	GM .50 X 1.00 X .75 X .12

NOTES:

Steering Box Breakdown

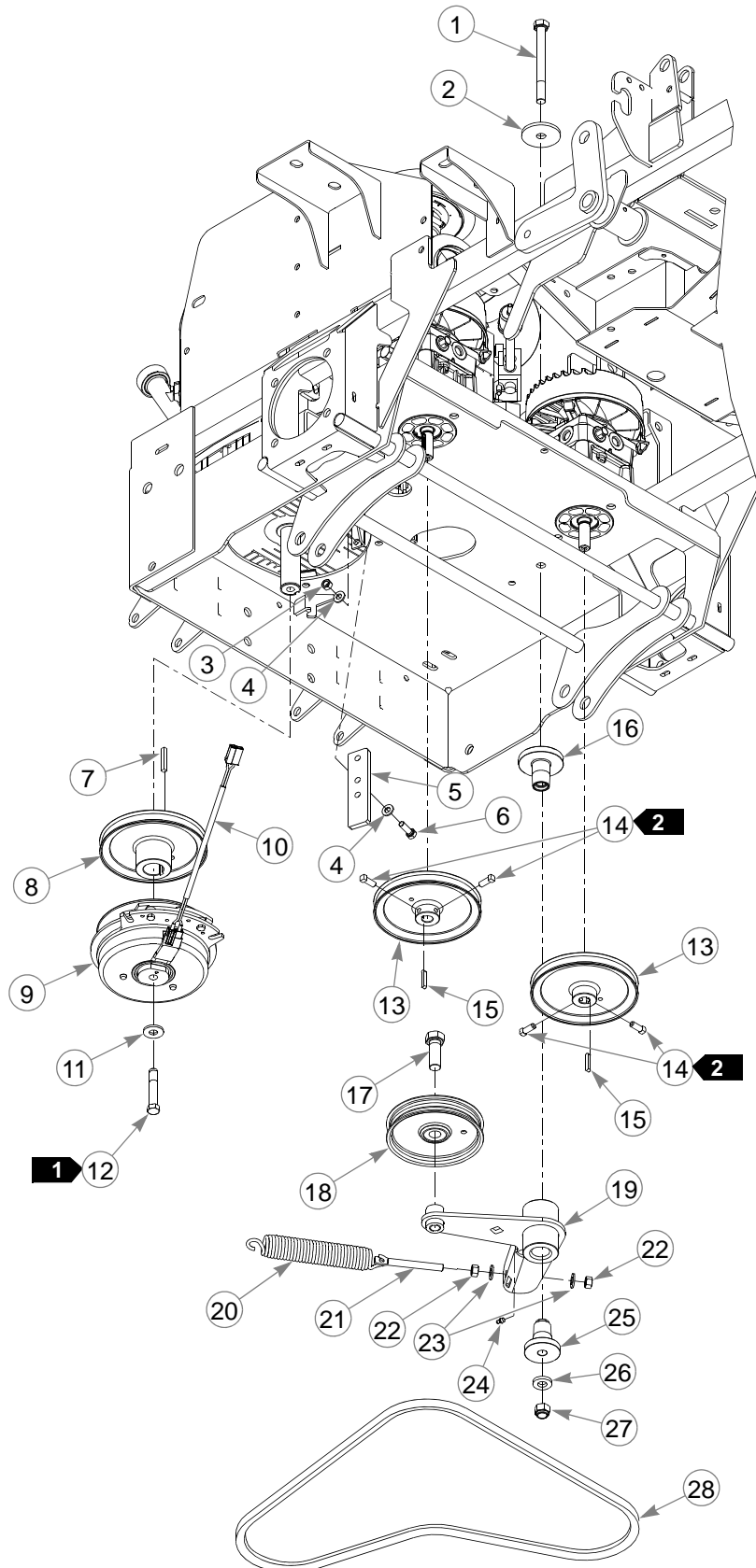


Steering Box Breakdown

INDEX NO.	PART NO.	QTY.	DESCRIPTION
1	113578	1	STEERING ARM
2	086660	3	NT .375-16 HXZY NL
3	767954	6	FW .406 X .812 X .060 SAE
4	705178	3	CS .375-16 X 1.75 HX G5
5	112898	1	RS STEERING BOX
6	781153	2	BUSHING
7	348862	2	STEERLEVER BUSHING
8	047456	1	GM .750 X .188 X 1.00 X .12
9	797738	1	SS .500-13 X 2.00 SH ZY
10	112899	2	LS STEERING BOX (NOT SHOWN)

NOTES:

Pump Drive



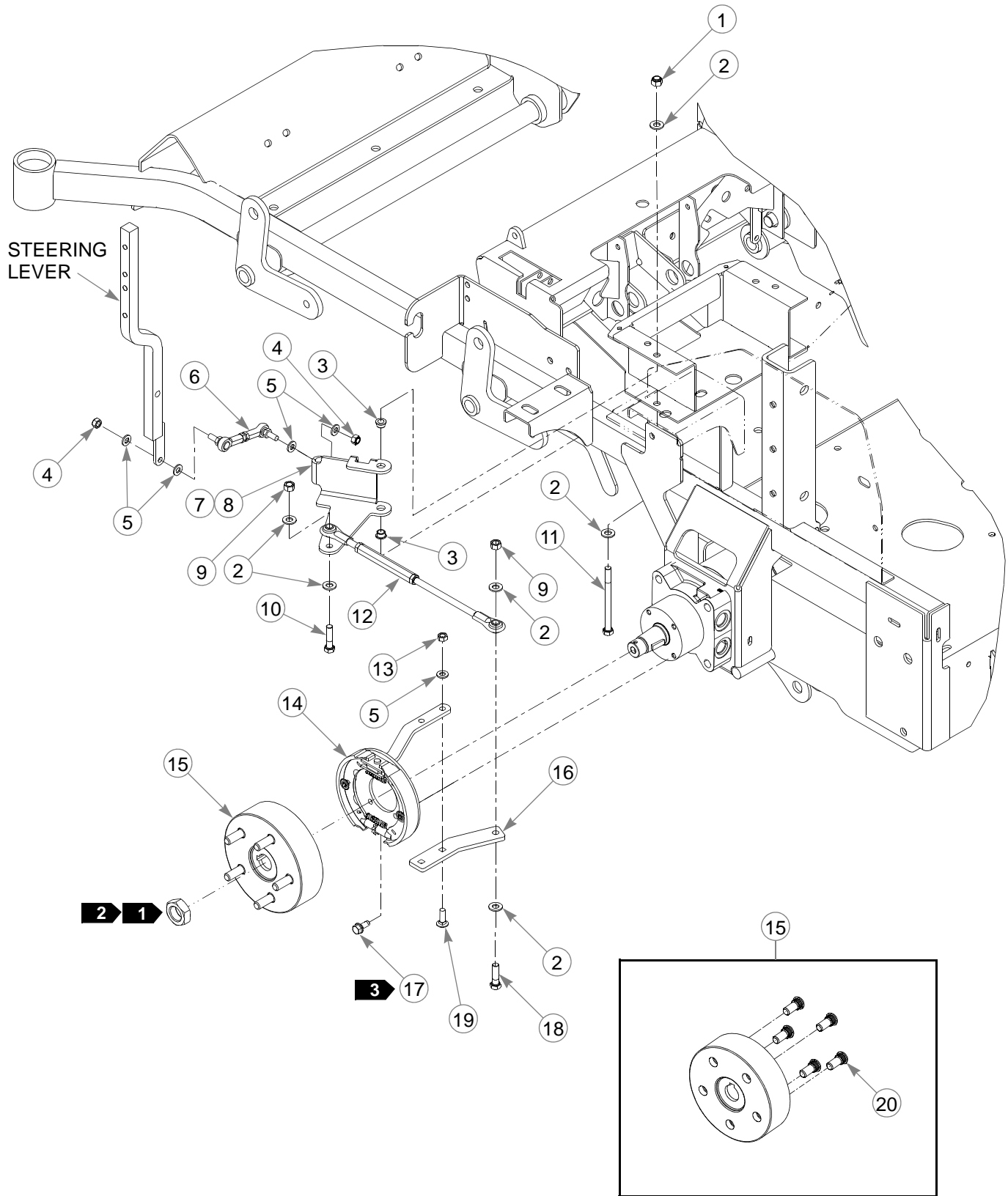
Pump Drive

INDEX NO.	PART NO.	QTY.	DESCRIPTION
1	051151	1	CS .500-13 X 5.00 HX G5
2	344267	1	FW .510 X 2.15 X .187 SPL
3	034272	2	NT .312-18 HX G5 ZNYC
4	768523	4	FW .343 X .687 X .051/.080H
5	113347	1	CLUTCH ANCHOR
6	036236	2	CS .312-18 X 1.00 HX G5
7	212076	1	KEY 1/4 SQ X 1.50 LG
8	602903	1	ENG PULLEY 5.78 OP
9	601311K	1	CLUTCH KIT
10	791251	1	CLUTCH HARNESS PIGTAIL
11	602680	1	FW .453 X 1.12 X .119 HRD
12	785659	1	CS .437-20 X 2.50 HX G5 P85
13	602904	2	PUMP PULLEY 5.78 OP
14	083196	4	SS .312-18 X .75 SQ-HD
15	768127	2	KEY 5MM X 30MM
16	602880	1	IDLER PIVOT BUSHING
17	025007	1	CS .625-11 X 1.75 HX G5
18	602304	1	5" FLAT IDLER PULLEY
19	113403	1	TENSIONER
20	601016	1	IDLER SPRING
21	601486	1	EB, .375-16 X 3.00 FUL THD
22	054502	2	NT .375-16 HX G5 ZNY
23	767954	2	FW .406 X .812 X .060 SAE
24	015495	1	GREASE FITTING STRAIGHT
25	602879	1	IDLER PIVOT BUSHING
26	767962	1	FW .531 X 1.063 X .090 SAE
27	781567	1	NT .500-13 HX G8 ZY NL
28	602907	1	BELT, 61.5 A-SEC

NOTES:

1. Torque to 61–65 N-m. Do not reuse the fastener if it is loosened or removed. Replace it with a new fastener. Use only hand tools to install this fastener.
2. Torque to 16–20 N-m.

Brake



Brake

INDEX NO.	PART NO.	QTY.	DESCRIPTION
1	086660	2	NT .375-16 HX ZY NL
2	767954	12	FW .406 X .812 X .060 SAE
3	765339	4	BUSHING
4	023655	4	NT .312-24 HX NL ZN
5	768523	12	FW .343 X .687 X .051/.080H
6	781583	2	BRAKE ROD ASSEMBLY
7	113215	1	RS BRAKE BELLCRANK
8	113216	1	LS BRAKE BELLCRANK
9	054502	4	NT .375-16 HX G5 ZNY
10	080655	2	CS .375-16 X 1.50 HX G5
11	052514	2	CS .375-16 X 4.50 HX G5
12	350397	2	BRAKE LINK TURNBUCKLE
13	034272	4	NT .312-18 HX G5 ZNYC
14	602383	2	BRAKE ASSEMBLY
15	602384	2	HUB ASSEMBLY (WITH STUDS)
16	111309	2	BRAKE ARM
17	604461	8	CS 0.312-18 X 0.75 HS G8 FLANGE HEAD
18	005116	2	CS .375-16 X 1.375 HX G5
19	037887	4	CB .312-18 X 1.00 FULL ZN
20	601085	5	WHEEL STUD LUG 1/2-20

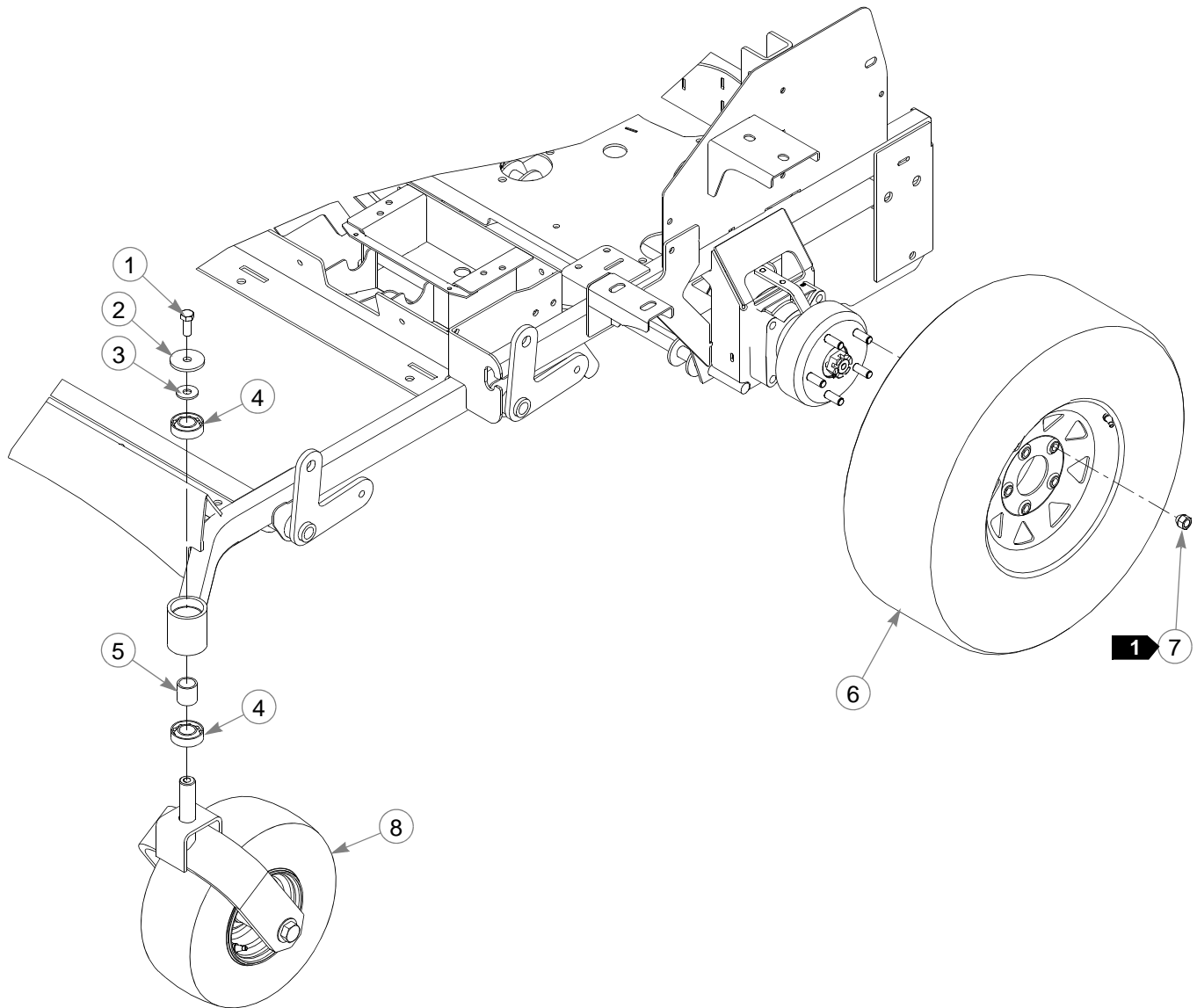
NOTES:

1. Included with the wheel motor.
2. Torque to 298-325 N-m.
3. Torque the bolt to 37 N-m.

Section 4

Wheel & Tire	4-2
Front Wheel Breakdown	4-4
Front Tire	4-6
Drive Wheel Breakdown	4-8

Wheel & Tire



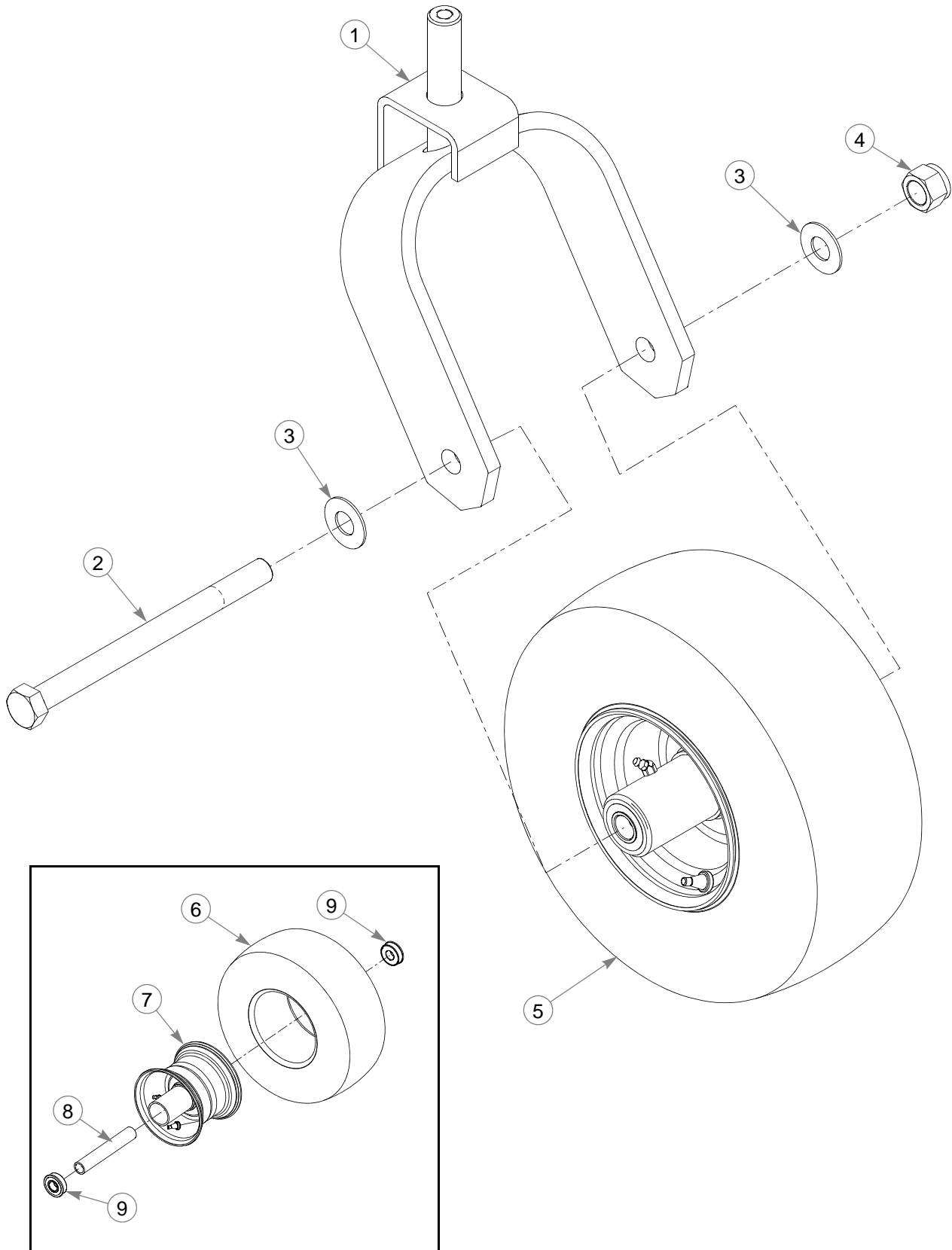
Wheel & Tire

INDEX NO.	PART NO.	QTY.	DESCRIPTION
1	705954	2	CS .500-13 X 1.25 HX G5 ZN
2	344267	2	FW .510 X 2.15 X .187 SPL
3	712976	2	FW .531 X 1.375 X .125 ZNY
4	784223	4	BEARING
5	784603	2	SPACER
6	782078	2	TIRE/WHEEL ASSEMBLY 24 X 9.50
7	061077	10	WHEEL NUT
8	N/A	1	FRONT WHEEL SUB-ASSEMBLY

NOTES:

1. Torque to 88–102 N-m.

Front Wheel Breakdown

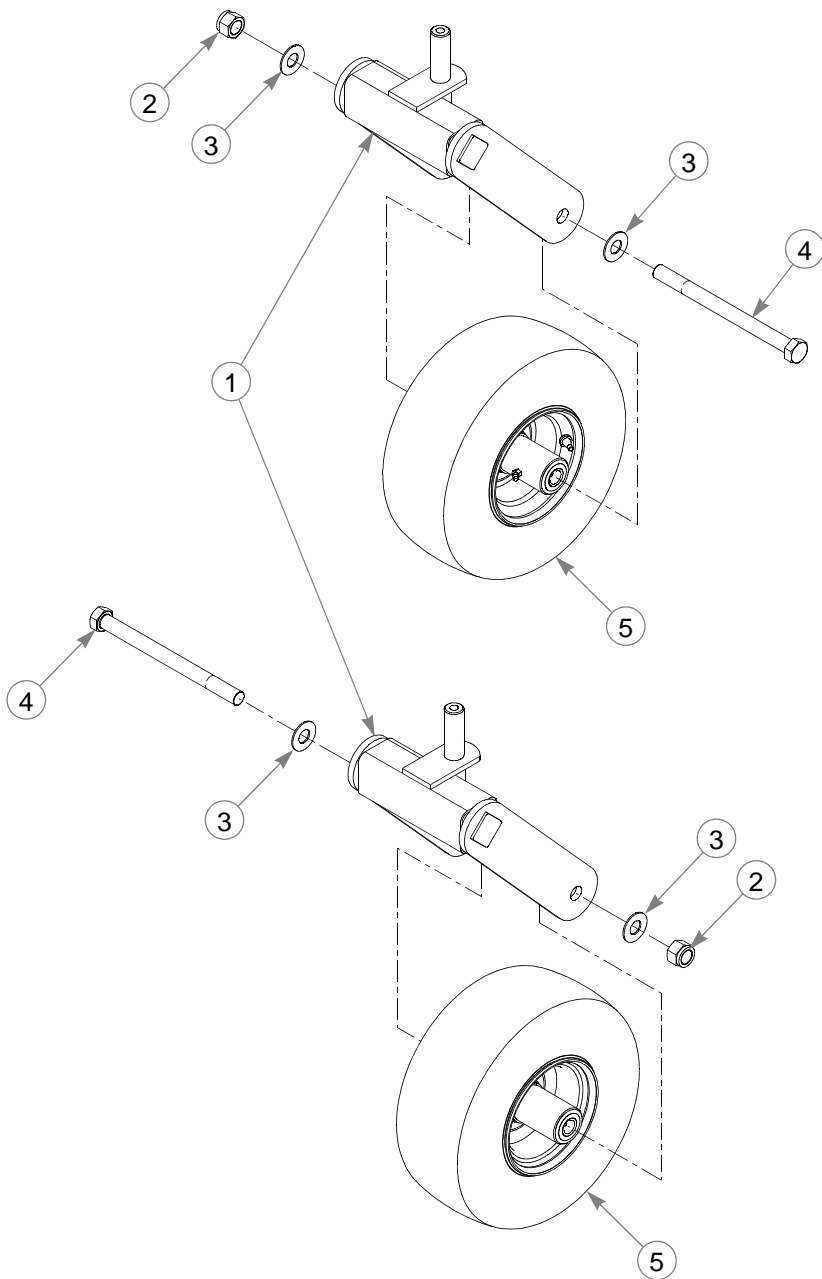


Front Wheel Breakdown

INDEX NO.	PART NO.	QTY.	DESCRIPTION
1	602870	1	FORK
2	041475	1	CS .750-10 X 9.50 HX ZY
3	025296	2	FW .760 X 1.625 X .08 ZNYC
4	061101	1	NT .750-10 HX ZY NL
5	604898	1	TIRE/WHEEL ASSEMBLY 13 X 6.50
6	604843	1	TIRE, 13 X 6.50-6 SMOOTH
7	747832	1	WHEEL 6 X 4.5
8	782771	1	BEARING SPACER
9	039677	2	WHEEL BEARING

NOTES:

Front Tire

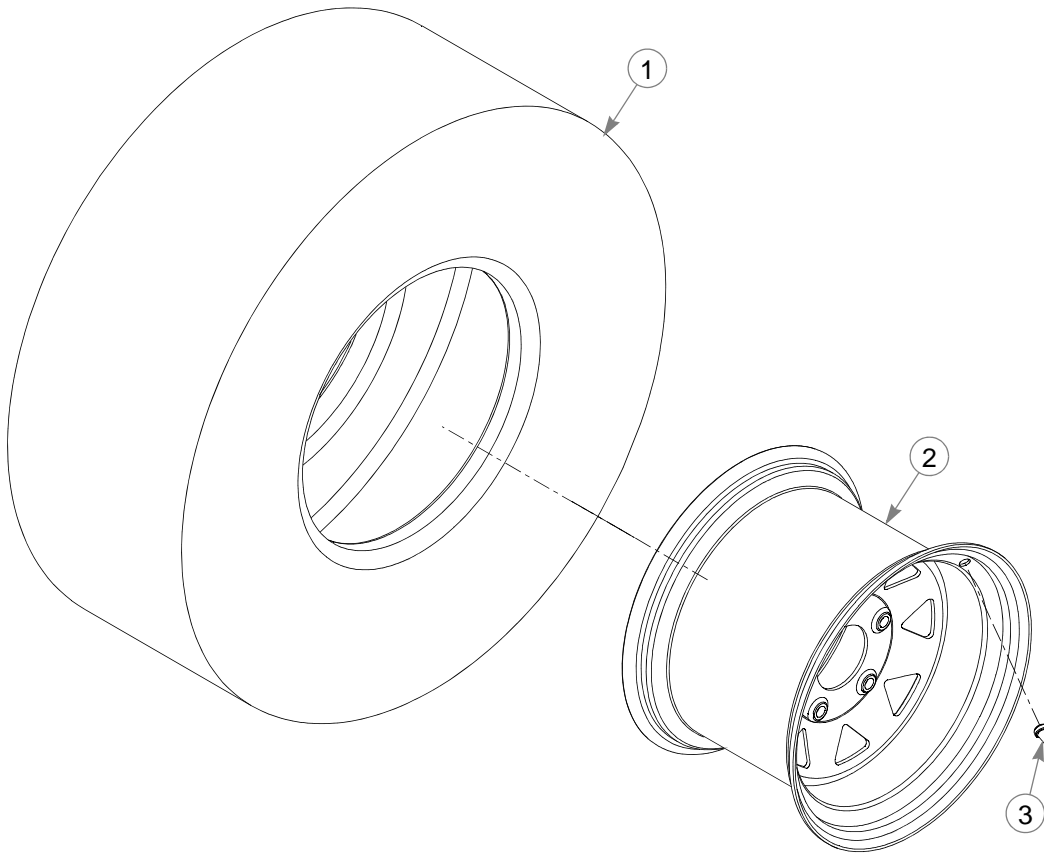


Front Tire

INDEX NO.	PART NO.	QTY.	DESCRIPTION
1	603162	1	FLEX FORKS KIT (CONTAINS TWO FORKS)
2	061101	2	NT .750-10 HX ZY NL
3	025296	4	FW .760 X 1.625 X .08 ZNYC
4	041475	2	CS .750-10 X 9.50 HX ZY
5	604898	2	TIRE/WHEEL ASSEMBLY 13 X 6.50

NOTES:

Drive Wheel Breakdown



782078 TIRE/WHEEL ASSEMBLY

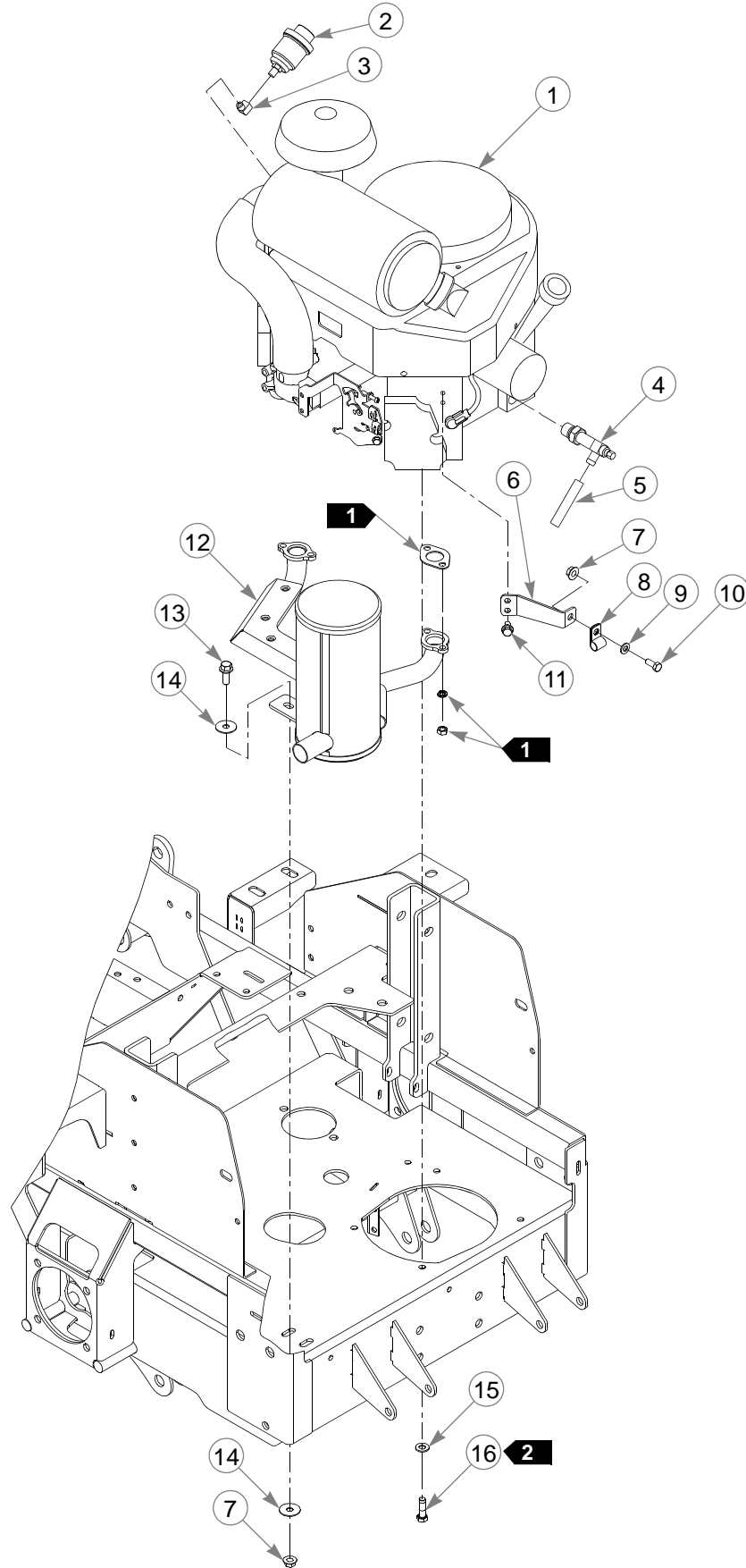
INDEX NO.	PART NO.	QTY.	DESCRIPTION
1	782284	1	TIRE 24 X 9.50-12
2	782086	1	WHEEL 12 X 7.00
3	019521	1	VALVE STEM

NOTES:

Section 5

Engine, Kawasaki FX691V	5-2
Engine, Kawasaki FX730V	5-6
Engine Service Parts, Kawasaki	5-10
Fuel System.	5-12
Fuel System Service Parts	5-14

Engine, Kawasaki FX691V



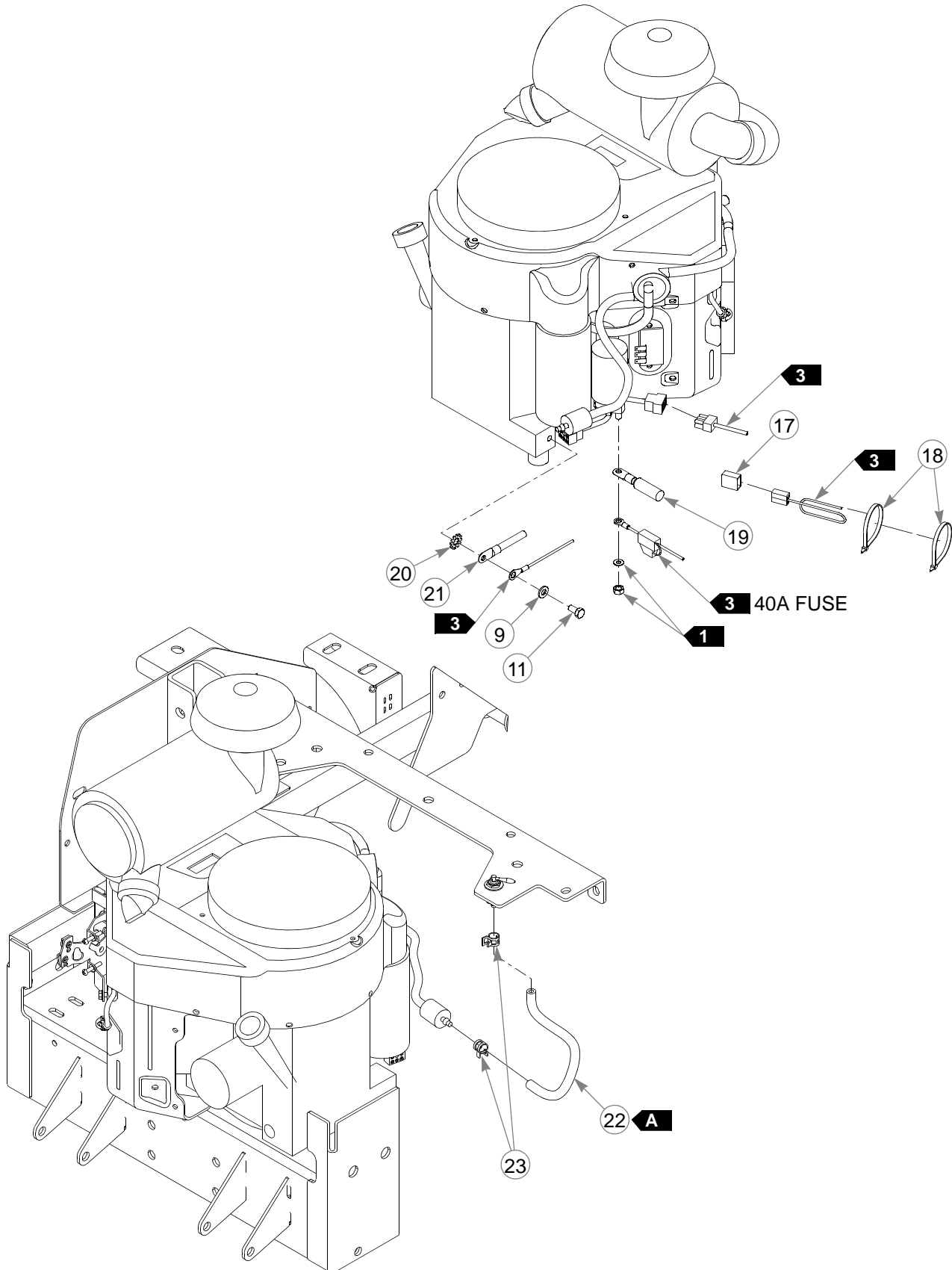
Engine, Kawasaki FX691V

INDEX NO.	PART NO.	QTY.	DESCRIPTION
1	N/A	1	KAWASAKI FX691V ENGINE
2	788943	1	AIR FILTER INDICATOR
3	601216	1	ELBOW STREET FITTING
4	796524	1	OIL DRAIN VALVE
5	604463	8 cm	OIL DRAIN HOSE
6	113970	1	CABLE GUIDE
7	016899	3	NT .375-16 HX FLK ZNYC
8	000398	1	LOOP CLAMP
9	768523	2	FW .343 X .687 X .051/.080H
10	034280	1	CS .312-18 X .75 HX G5
11	720516	3	CS M8 X 1.25 X 16 HX G10.9
12	602772	1	MUFFLER
13	029751	2	CS .375-16 X 1.00 HXFLK
14	705137	4	FW .391 X 1.25 X .060 ZNY
15	767954	4	FW .406 X .812 X .060 SAE
16	602580	4	CS .375-16 X 1.25 HX G5 P85

NOTES:

1. Supplied with the engine.
2. Torque the bolt to 40 N-m. Replace (do not reuse) the capscrew if removed or loosened. Use only hand tools to install this fastener.


Engine, Kawasaki FX691V



Engine, Kawasaki FX691V

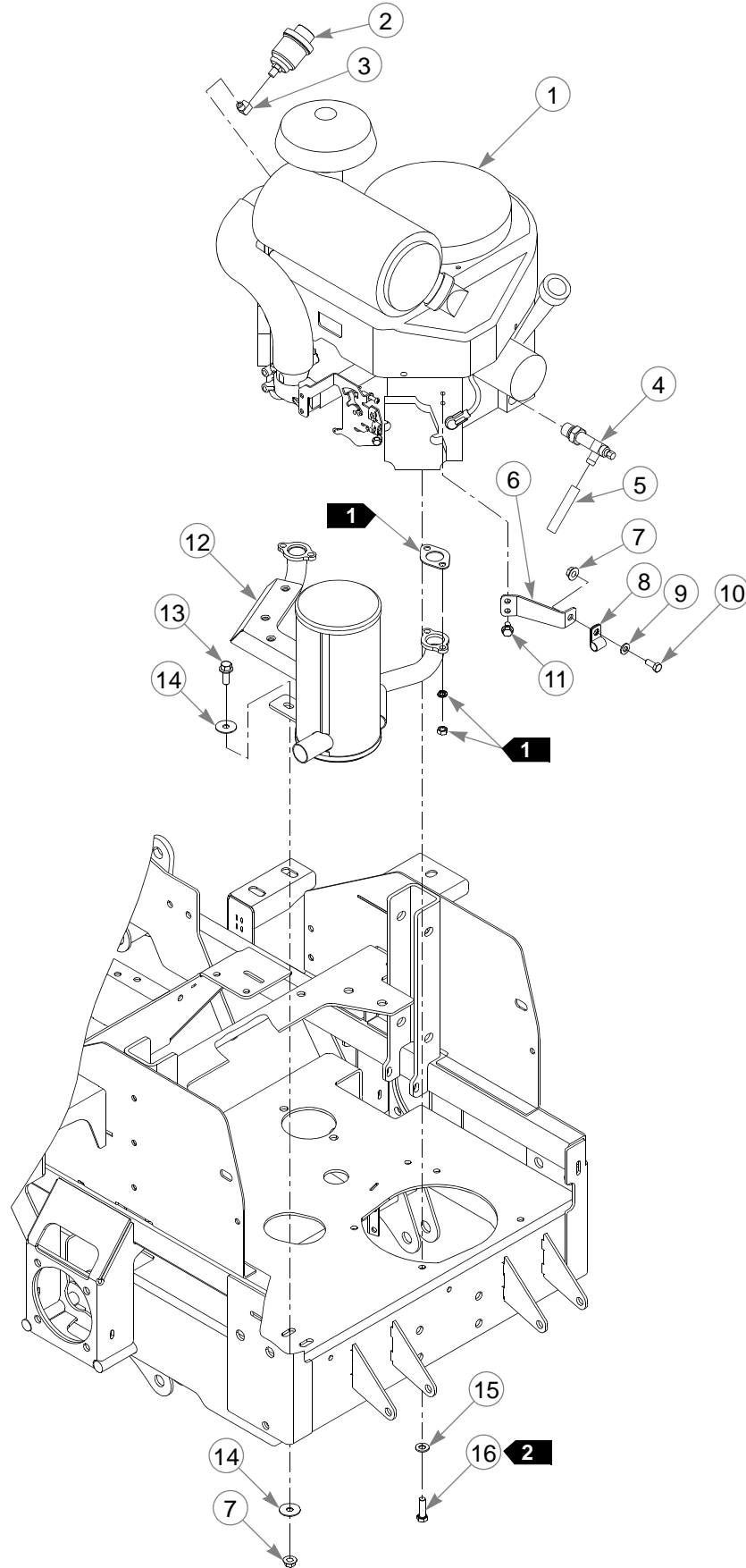
INDEX NO.	PART NO.	QTY.	DESCRIPTION
17	789131	1	FAN CAP
18	000331	2	WIRE TIE
19	786632	1	POSITIVE BATTERY CABLE
20	029876	1	LW .312 INT-EXT TOOTH
21	744284	1	NEGATIVE BATTERY CABLE
22	015818	30 cm	1/4" FUEL LINE
23	000323	2	HOSE CLAMP

NOTES:

FUEL LINE LENGTHS		
	30 cm	FUEL VALVE TO FUEL FILTER

3. Part of the wire harness.

Engine, Kawasaki FX730V



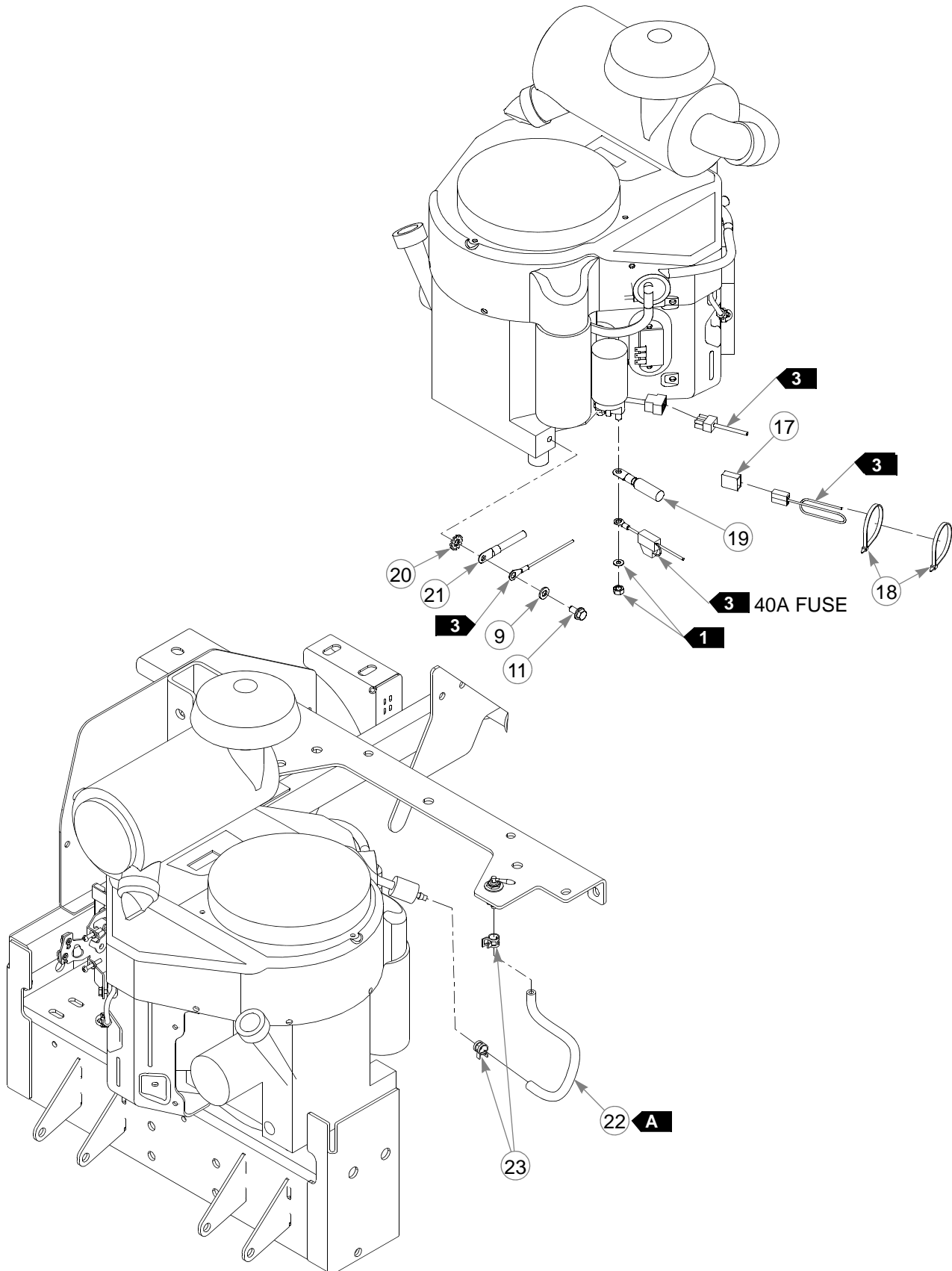
Engine, Kawasaki FX730V

INDEX NO.	PART NO.	QTY.	DESCRIPTION
1	N/A	1	KAWASAKI FX730V ENGINE
2	788943	1	AIR FILTER INDICATOR
3	601216	1	ELBOW STREET FITTING
4	796524	1	OIL DRAIN VALVE
5	604463	8 cm	OIL DRAIN HOSE
6	113970	1	CABLE GUIDE
7	016899	3	NT .375-16 HX FLK ZNYC
8	000398	1	LOOP CLAMP
9	768523	2	FW .343 X .687 X .051/.080H
10	034280	1	CS .312-18 X .75 HX G5
11	720516	3	CS M8 X 1.25 X 16 HX G10.9
12	602772	1	MUFFLER
13	029751	2	CS .375-16 X 1.00 HXFLK
14	705137	4	FW .391 X 1.25 X .060 ZNY
15	767954	4	FW .406 X .812 X .060 SAE
16	602580	4	CS .375-16 X 1.25 HX G5 P85

NOTES:

1. Supplied with the engine.
2. Torque the bolt to 40 N-m. Replace (do not reuse) the cap screw if it is removed or loosened. Use only hand tools to install this fastener.


Engine, Kawasaki FX730V



Engine, Kawasaki FX730V

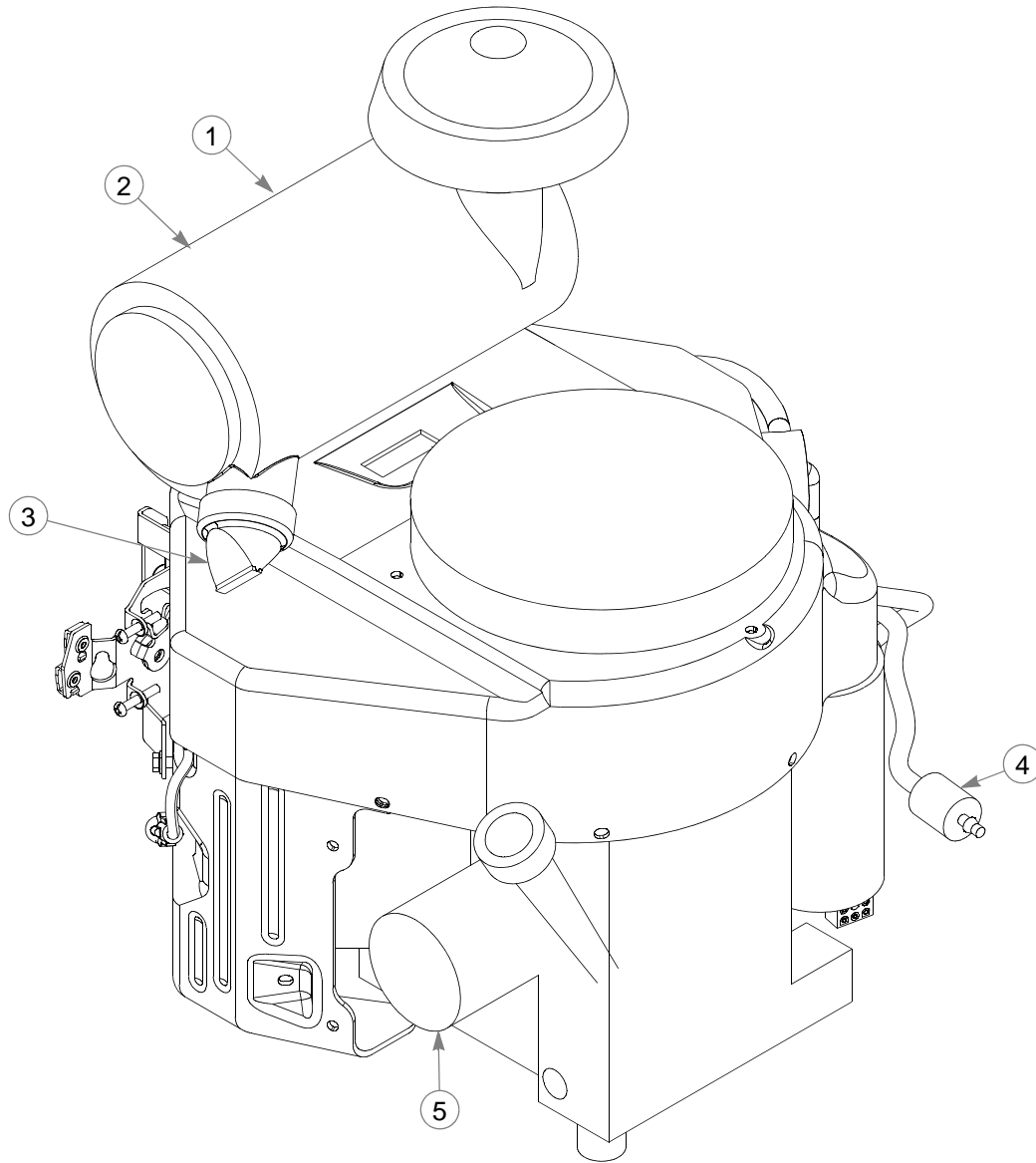
INDEX NO.	PART NO.	QTY.	DESCRIPTION
17	789131	1	FAN CAP
18	000331	2	WIRE TIE
19	786632	1	RED POSITIVE BATTERY CABLE
20	029876	1	LW .312 INT-EXT TOOTH
21	744284	1	NEGATIVE BATTERY CABLE
22	015818	30 cm	1/4" FUEL LINE
23	000323	2	HOSE CLAMP

NOTES:

FUEL LINE LENGTHS		
	30 cm	FUEL VALVE TO FUEL FILTER

3. Part of the wire harness.

Engine Service Parts, Kawasaki



INDEX NO.	PART NO.	QTY.	DESCRIPTION
1	785261	1	MAIN AIR FILTER
2	785279	1	SAFETY AIR FILTER
3	763318	1	VACUATOR VALVE
4	068478	1	IN-LINE FUEL FILTER
5	602581	1	OIL FILTER

NOTES:

This page intentionally left blank.

Fuel System

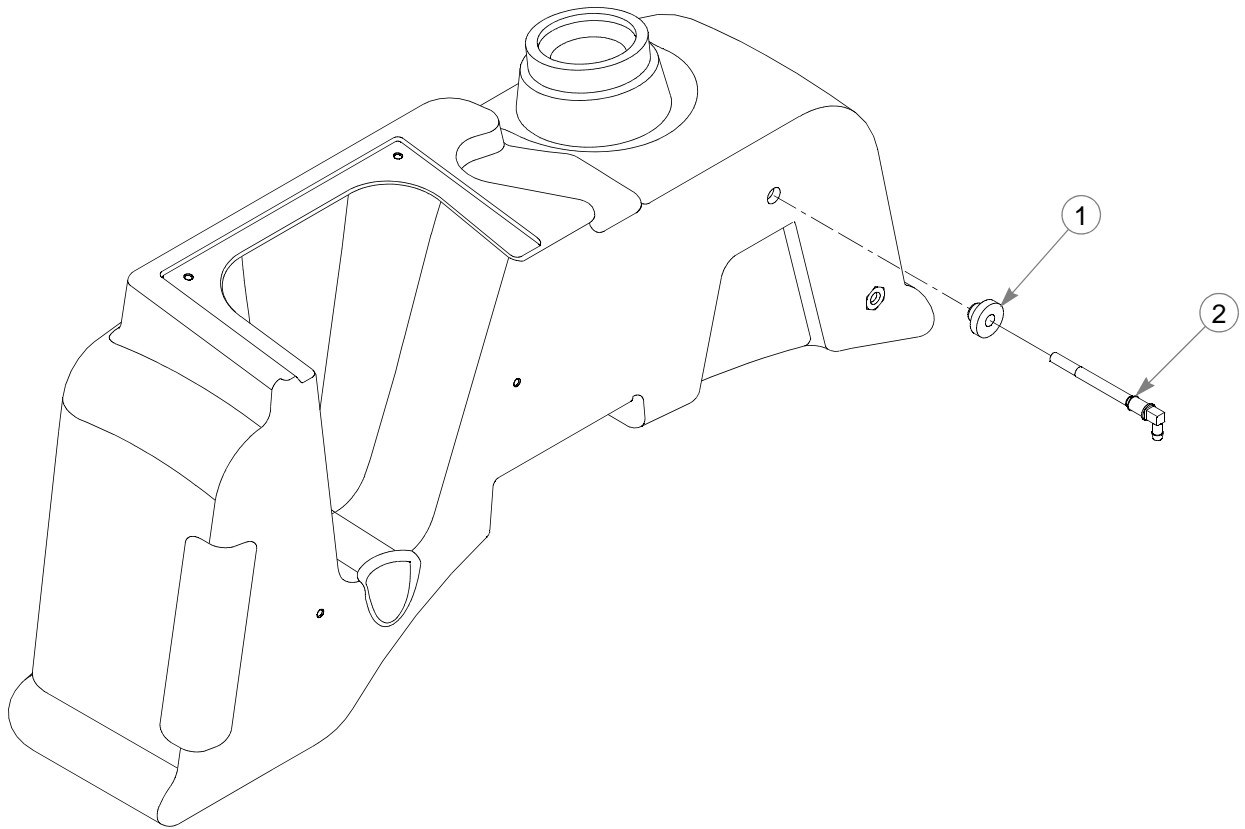
INDEX NO.	PART NO.	QTY.	DESCRIPTION
1	603974	1	RS FUEL TANK ASSEMBLY
2	603975	1	LS FUEL TANK ASSEMBLY
3	779306	2	FUEL CAP, 3.5"
4	015818	109 cm	1/4" FUEL LINE
5	000323	4	HOSE CLAMP
6	745059	1	FUEL VALVE 3-WAY
7	712919	10	FW .406 X 1.00 X.12 HRD Z
8	055822	10	CS .375-16 X .75 HX G5
9	036236	3	CS .312-18 X 1.00 HX G5
10	768523	3	FW .343 X .687 X .051/.080H
11	000398	3	LOOP CLAMP
12	016832	3	NT .312-18 HXFLK ZNYC

NOTES:

1. Torque to 27 N-m.

FUEL LINE LENGTHS		
A	30 cm	RIGHT TANK TO FUEL VALVE
B	79 cm	LEFT TANK TO FUEL VALVE

Fuel System Service Parts



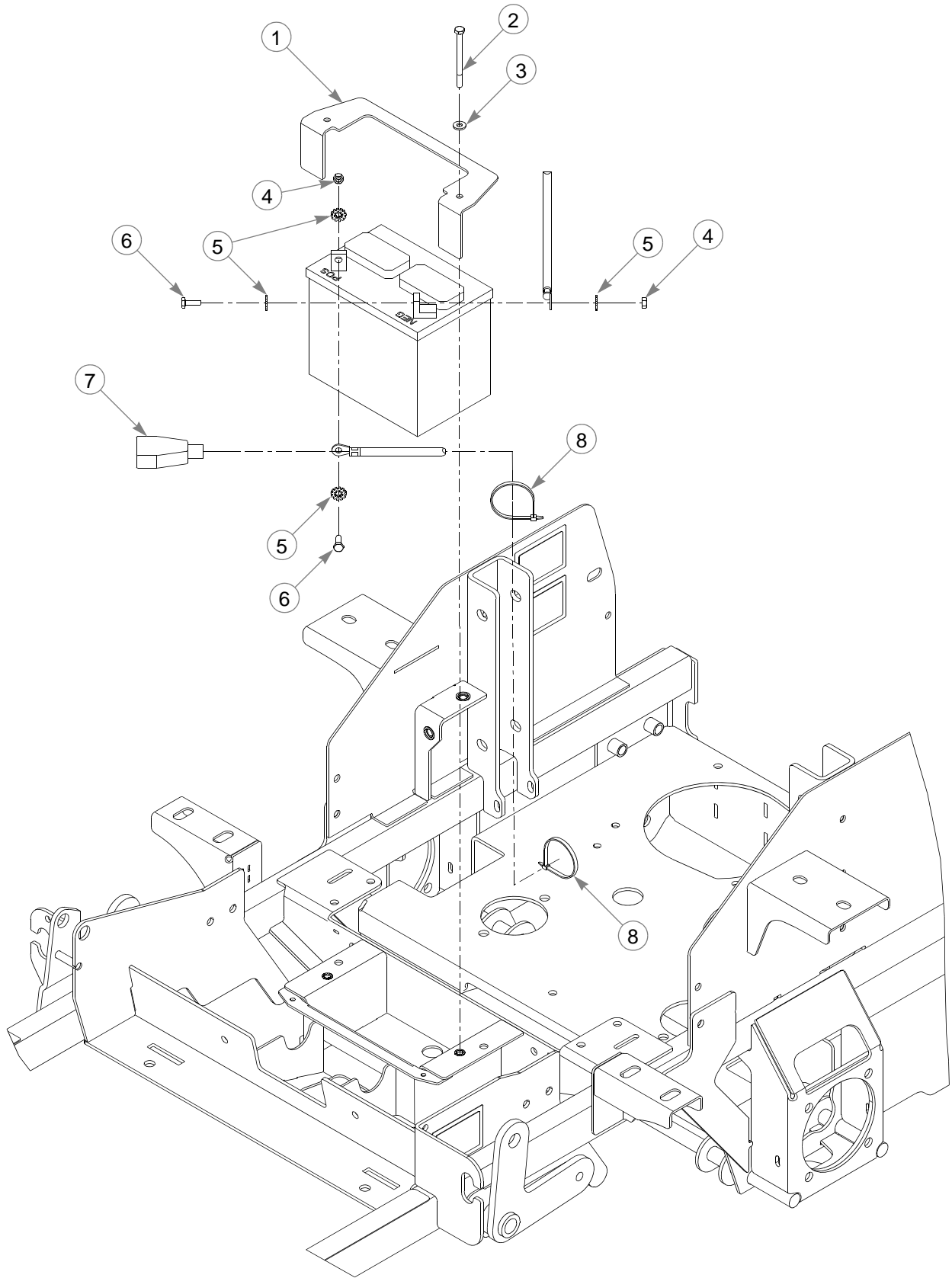
INDEX NO.	PART NO.	QTY.	DESCRIPTION
1	785295	1	GROMMET
2	603199	1	SUCTION HOSE ASSEMBLY 30.5"

NOTES:

Section 6

Battery	6-2
Instrument Panel	6-4

Battery

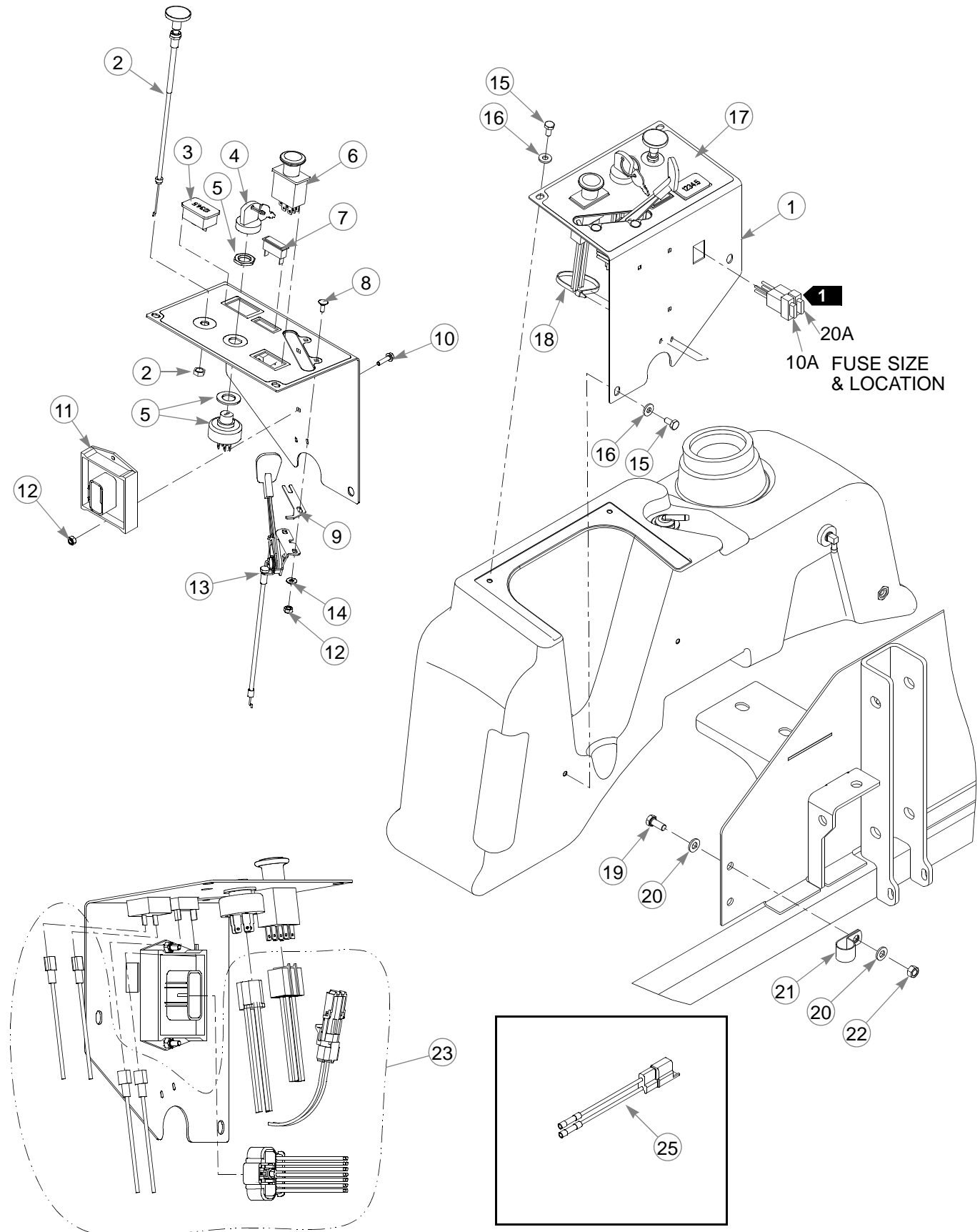


Battery

INDEX NO.	PART NO.	QTY.	DESCRIPTION
1	113147	1	BATTERY STRAP
2	075994	2	CS .250-20 X 3.25 ZNYC
3	768515	2	FW .281 X .625 X .051/.080H
4	024927	2	NT .250-20 HX G5 ZNYC
5	029868	4	LW .250 INT-EXT TOOTH Z
6	055939	2	CS .250-20 X .75 HX G5
7	771428	1	RED BATTERY CABLE BOOT
8	000331	3	WIRE TIE

NOTES:

Instrument Panel



Instrument Panel

INDEX NO.	PART NO.	QTY.	DESCRIPTION
1	550856	1	INSTRUMENT PANEL
2	603087	1	CHOKE CABLE
3	769166	1	HOUR METER
4	785808	1	KEY ASSEMBLY
5	045898	1	IGNITION SWITCH
6	776476	1	PTO SWITCH
7	712257	1	RED INDICATOR LIGHT
8	601098	2	CB 10-24 X .500 ZYNC
9	114197	1	THROTTLE STOP CE
10	063198	2	CS 10-24 X .75 HX FLK ZN
11	604373	1	RELAY CONTROL MODULE
12	059832	4	NT #10-24 HX NL ZN
13	601675	1	THROTTLE CABLE
14	704932	2	FW .219 X .500 X .048 ZNYC
15	055947	4	CS .250-20 X .500 HX G5
16	768515	4	FW .281 X .625 X .051/.080 HD ZN/YL
17	603056	1	INSTRUMENT PANEL DECAL
18	000430	1	WIRE TIE
19	034280	1	CS .312-18 X .75 HX G5
20	768523	2	FW .343 X .687 X .051/.080H
21	043570	1	LOOP CLAMP
22	034272	1	NT .312-18 HX G5 ZNYC
23	603125	1	WIRE HARNESS
24	000331	3	WIRE TIE
25	114052	1	CLUTCH CONNECTOR REPAIR KIT

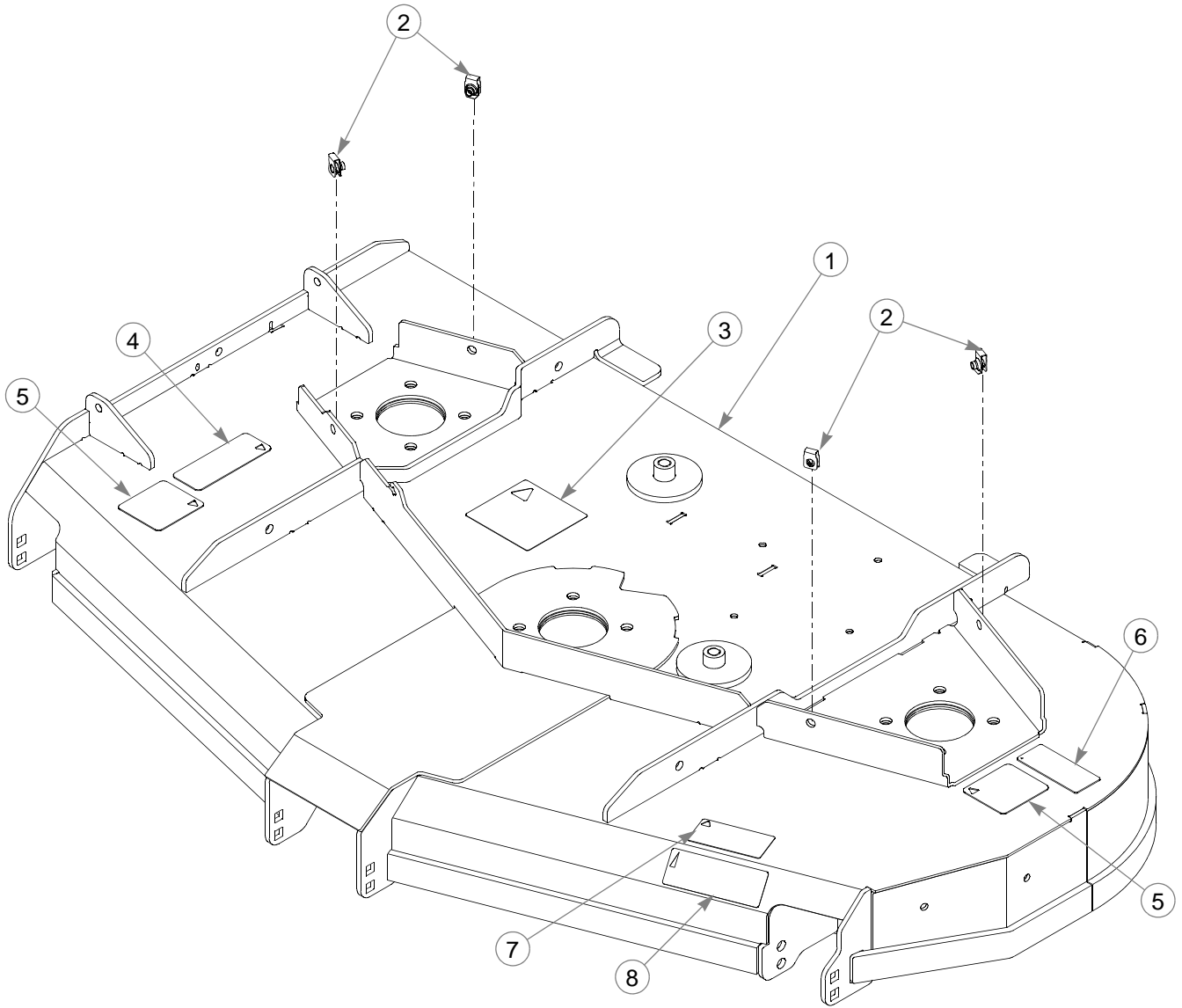
NOTES:

1. Part of the wire harness.

Section 7

54" Side Discharge Service Deck	7-2
54" Side Discharge Deck Pulleys & Spindles	7-4
54" Side Discharge Deck	7-6
Side Discharge Deck Lift	7-8
Side Discharge Deck Mounting Hardware	7-10
54" Rear Discharge Service Deck	7-12
54" Rear Discharge Deck Pulleys & Spindles	7-14
54" Rear Discharge Deck	7-16
54" Rear Discharge Deck Dust Shield	7-18
Rear Discharge Deck Lift	7-20
Rear Discharge Deck Mounting Hardware	7-22

54" Side Discharge Service Deck

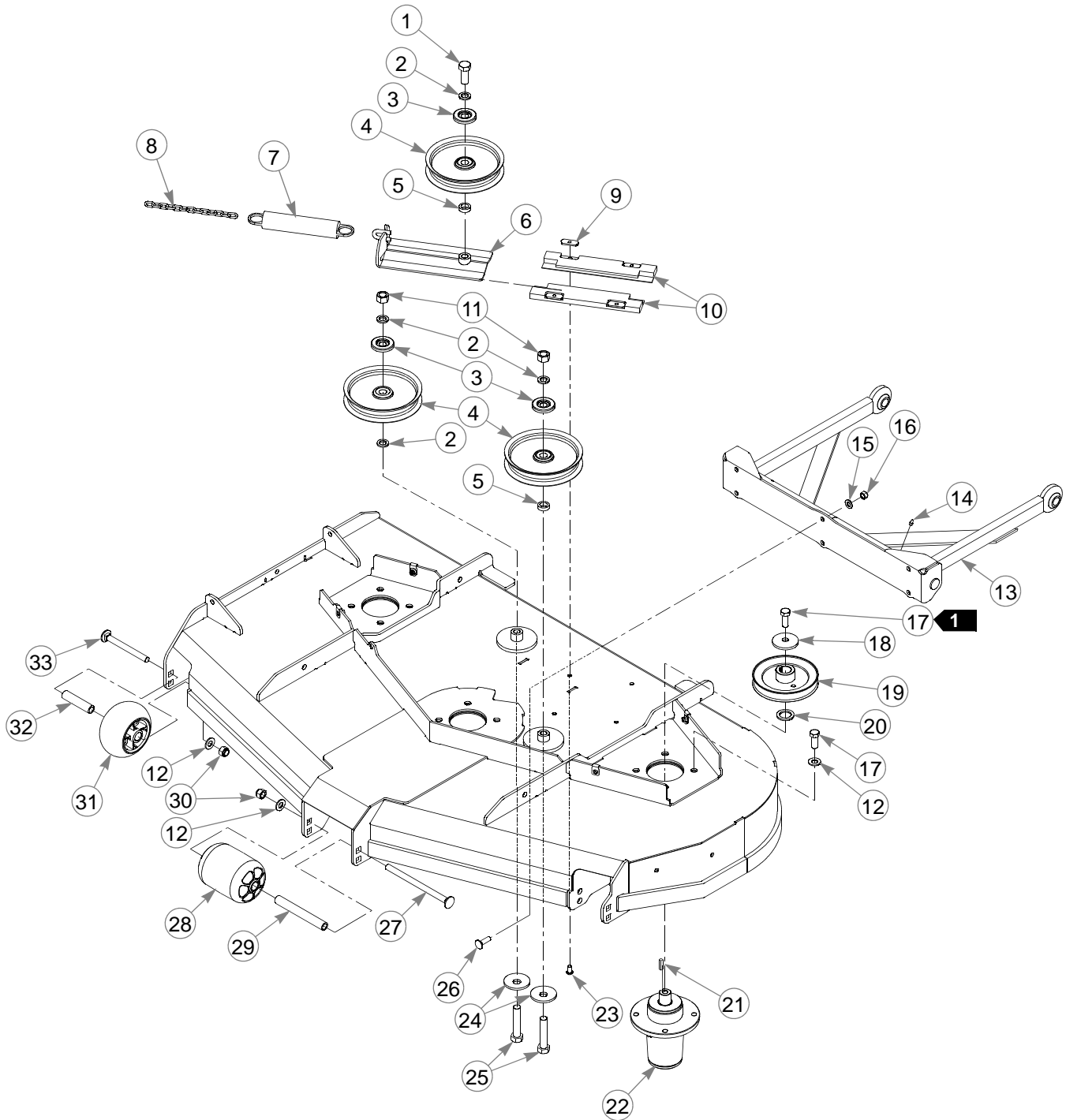


54" Side Discharge Service Deck

INDEX NO.	PART NO.	QTY.	DESCRIPTION
1	550738	1	54" DECK (WITH DECALS & HARDWARE)
2	601069	4	CN .312-18 X .20 MAX THK
3	781419	1	BELT ROUTING DECAL
4	601624	1	DISCHARGE CHUTE DECAL
5	601837	2	DECK DANGERS DECAL
6	601892	1	THROWN OBJECTS DECAL
7	799171	1	54" DECK ID DECAL
8	603092	1	VX4 TECHNOLOGY DECAL

NOTES:

54" Side Discharge Deck Pulleys & Spindles



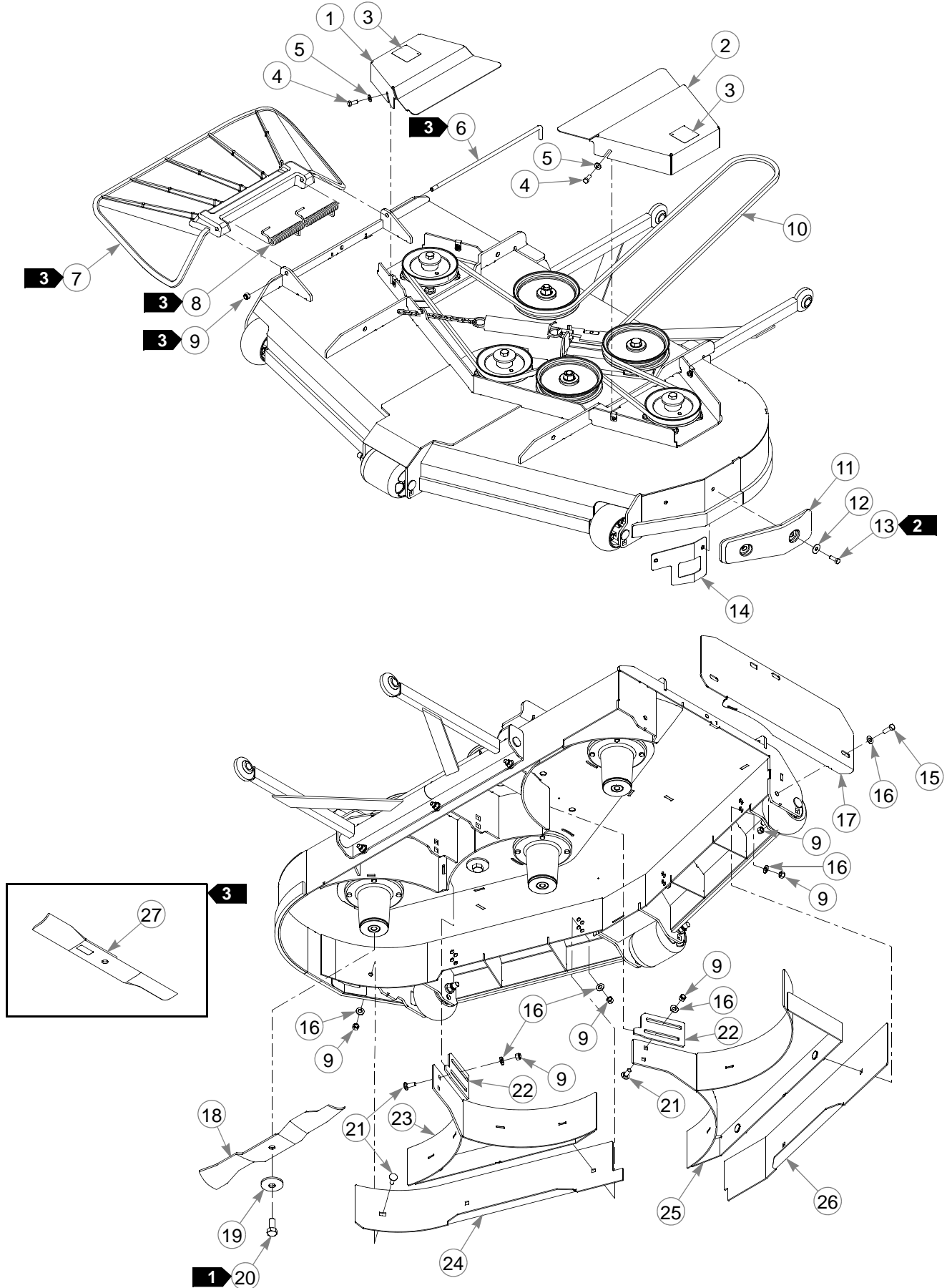
54" Side Discharge Deck Pulleys & Spindles

INDEX NO.	PART NO.	QTY.	DESCRIPTION
1	794446	1	CS .625-11 X 1.50 HX G5
2	028118	4	FW .625 X 1.00 X .134 ZNYC
3	603057	3	DUST SHIELD WITH OFFSET
4	781385	3	IDLER PULLEY, NHI 6.0"
5	600296	2	DECK IDLER SPACER
6	350884	1	DECK IDLER SLIDE
7	781302	1	TENSION SPRING
8	259812	1	CHAIN
9	603023	4	WN .312-18 ZN
10	602936	2	UHMW IDLER SLIDE
11	016972	2	NT .625-11 HX G5 ZNYC
12	767962	15	FW .531 X 1.063 X .090 SAE
13	113340	1	PUSHER
14	015495	2	GREASE FITTING STRAIGHT
15	767954	6	FW .406 X .812 X .060 SAE
16	086660	6	NT .375-16 HXZY NL
17	705954	15	CS .500-13 X 1.25 HX G5 ZN
18	752386	3	CW .515 X 2.25 X .204 BLK
19	798967	3	DECK DRIVE PULLEY
20	045765	3	FW 1.030 X 1.50 X .134 ZN
21	212472	3	KEY 1/4 SQ X 1.00
22	604255	3	BLADE SPINDLE CW
23	603022	4	CS .312-18 X .625 BH ZN
24	782474	2	CW .631 X 2.25 X .187 PNT
25	783738	2	CS .625-11 X 3.00 FULL HX
26	603113	6	CB .375-16 X 1.25 G5 ZN
27	602338	1	CB .500-13 X 7.50 STD ZN
28	602341	1	PLASTIC WHEEL
29	602344	1	SPACER 5.73
30	781567	3	NT .500-13 HX G8 ZY NL
31	602263	2	PLASTIC WHEEL
32	602345	2	SPACER 3.22
33	603049	2	CB .50-13 X 4.75 STD ZN

NOTES:

1. Torque to 91–101 N-m.

54" Side Discharge Deck



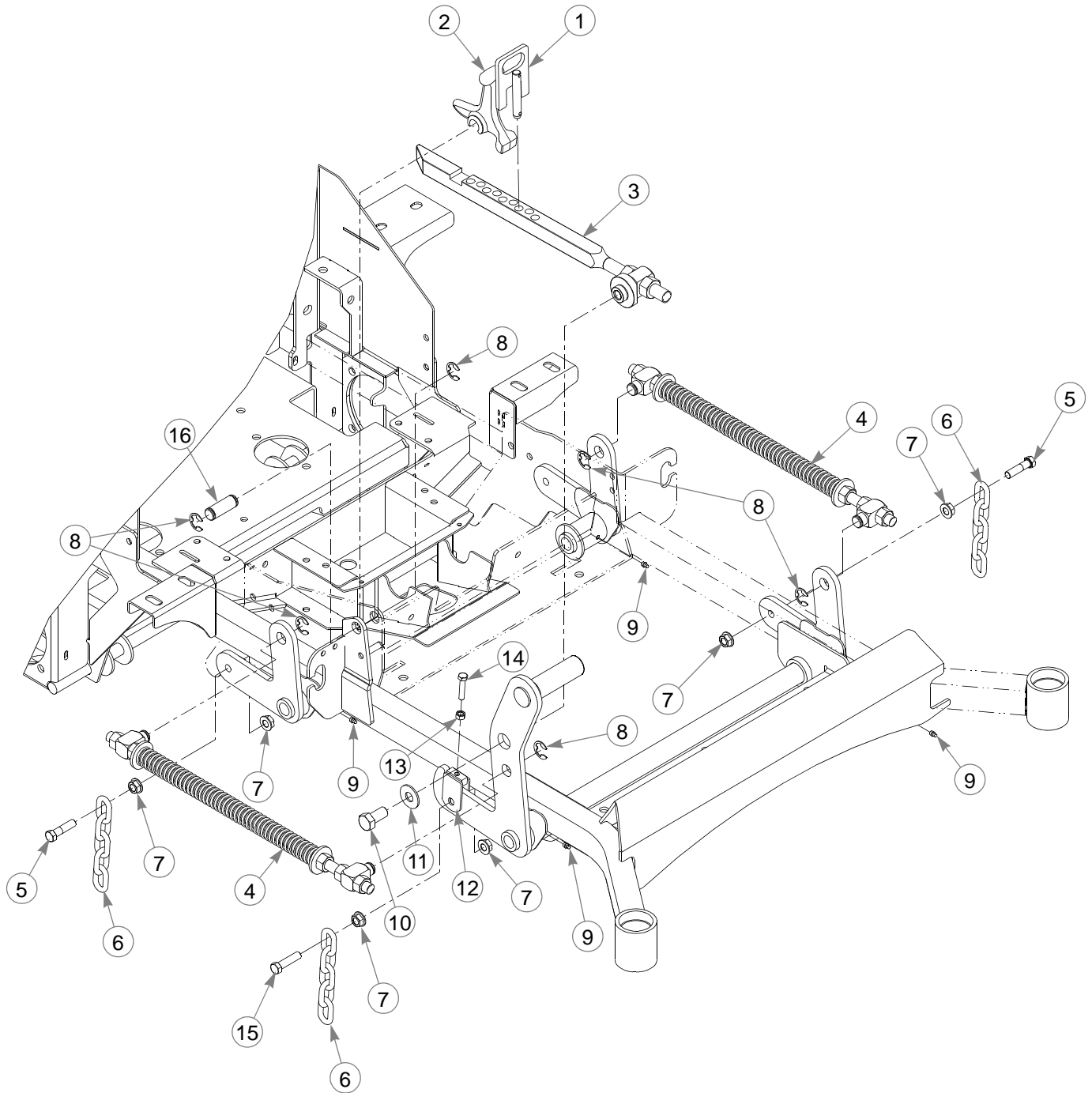
54" Side Discharge Deck

INDEX NO.	PART NO.	QTY.	DESCRIPTION
1	550796	1	RS PULLEY COVER (WITH DECAL)
2	550795	1	LS PULLEY COVER (WITH DECAL)
3	602562	2	NO SERVICE DECAL
4	034280	4	CS .312-18 X .75 HX G5
5	768523	4	FW .343 X .687 X .051/.080H
6	602432	1	CHUTE PIN
7	602429	1	DISCHARGE CHUTE
8	602435	2	TORSION SPRING
9	086660	13	NT .375-16 HX ZY NL
10	797928	1	BELT, B 160.2" EL
11	602817	1	RUBBER BUMPER
12	079210	2	FW .344 X 1.00 X .06 ZNYC
13	064014	2	CS .312-18 X .875 HX G5 ZN
14	113563	1	BACKING PLATE
15	036244	3	CS .375-16 X 1.00 HX G5
16	767954	12	FW .406 X .812 X .060 SAE
17	113735	1	MULCH END CAP
18	797704	3	BLADE, 18.50"-MUL-F-CW
	797696	3	BLADE, F18.50"-H-F-CW
	601012	3	BLADE, F18.50"-L-F-CW
	797712	3	BLADE, 18.50"-GAT-F-CW
19	782474	3	CW .631 X 2.25 X .187 PNT
20	781872	3	CS .625-11 X 1.25 HX G5 Z
21	025395	9	CB .375-16 X 1.00 G5 ZNY
22	113615	2	SLIDER PLATE
23	113742	1	LEFT MULCH BAFFLE
24	113701	1	LS INNER WALL
25	113738	1	RIGHT MULCH BAFFLE
26	113700	1	RS INNER WALL
27	797696	3	BLADE, F18.50"-H-F-CW

NOTES:

1. Torque to 160 N-m
2. Torque to 14 N-m.
3. Items must be used when the mulch system is removed.

Side Discharge Deck Lift

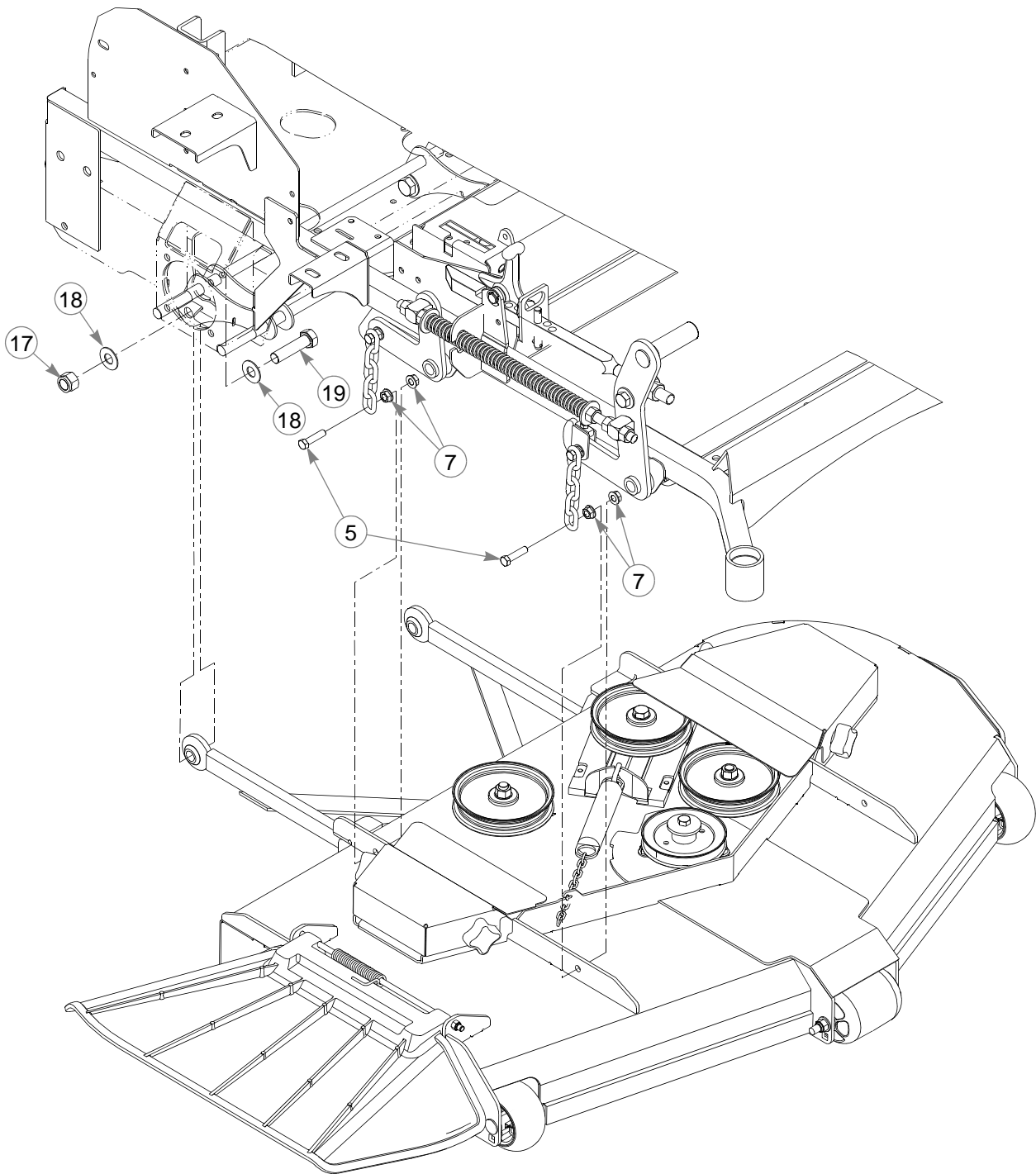


Side Discharge Deck Lift

INDEX NO.	PART NO.	QTY.	DESCRIPTION
1	600437	1	DECK HEIGHT PIN
2	348318	1	STOP HANDLE
3	602898	1	DECK LIFT INDICATOR
4	782995	2	DECK LIFT SPRING
5	055749	7	CS .437-14 X 1.75 HX G5
6	348391	4	DECK LIFT CHAIN
7	704643	16	NT .437-14 HX FLG ZN
8	781294	6	E CLIP 1.00 X .625 X .05
9	015495	4	GREASE FITTING STRAIGHT
10	781872	1	CS .625-11 X 1.25 HX G5 Z
11	704783	1	FW .625 X 1.50 X .105 ZN
12	348458	1	DECK LEVELER YOKE
13	034272	1	NT .312-18 HX G5 ZNYC
14	756270	1	CS .312-18 X 1.50 FLTHR HX
15	781831	1	CS .437-14 X 1.75 FULTH
16	781229	1	CE .750 X 2.25 X 1.75 HEAD

NOTES:

Side Discharge Deck Mounting Hardware

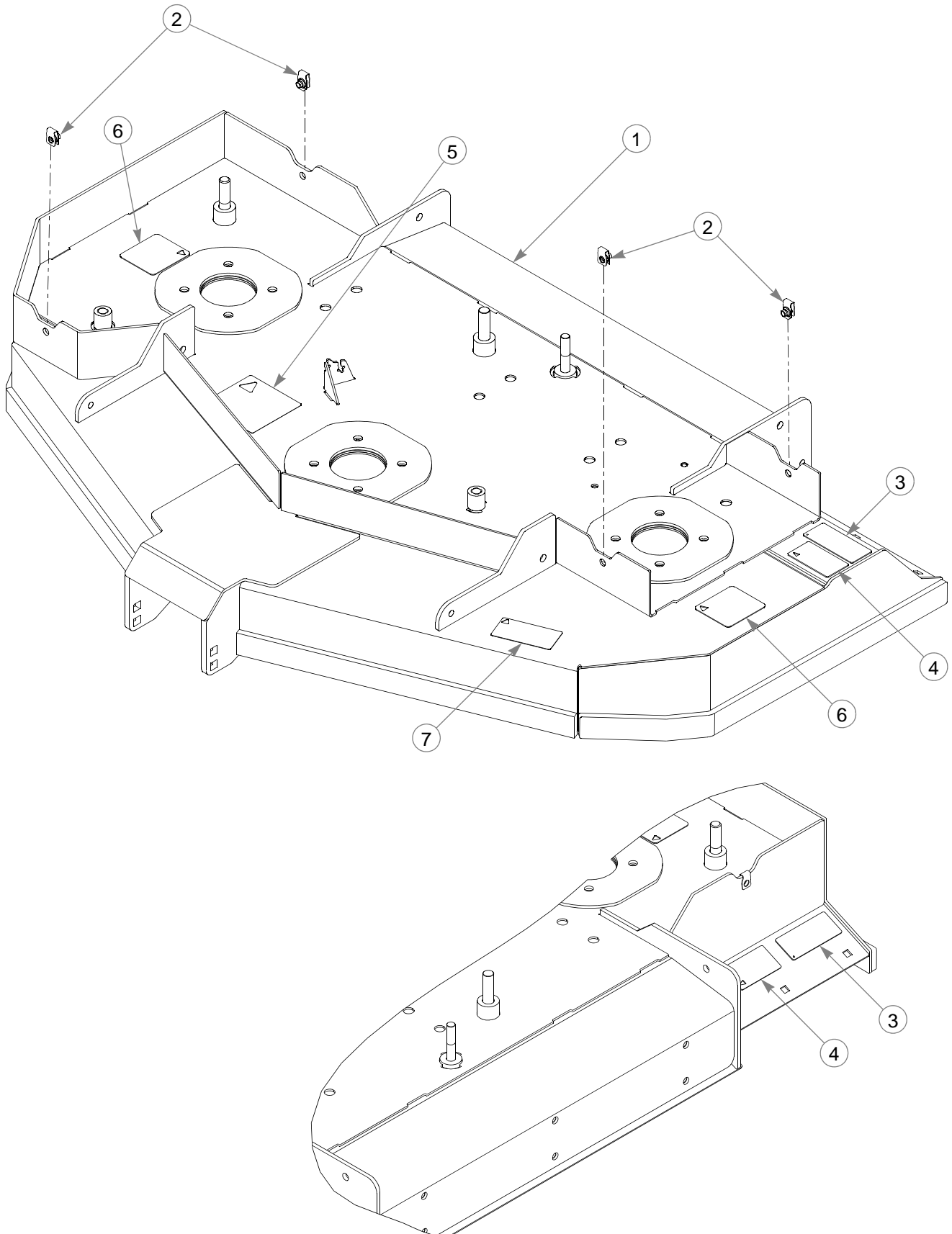


Side Discharge Deck Mounting Hardware

INDEX NO.	PART NO.	QTY.	DESCRIPTION
17	061101	2	NT .750-10 HX ZY NL
18	025296	4	FW .760 X 1.625 X .08 ZNYC
19	051169	2	CS .750-10 X 3.00 HX G5

NOTES:

54" Rear Discharge Service Deck

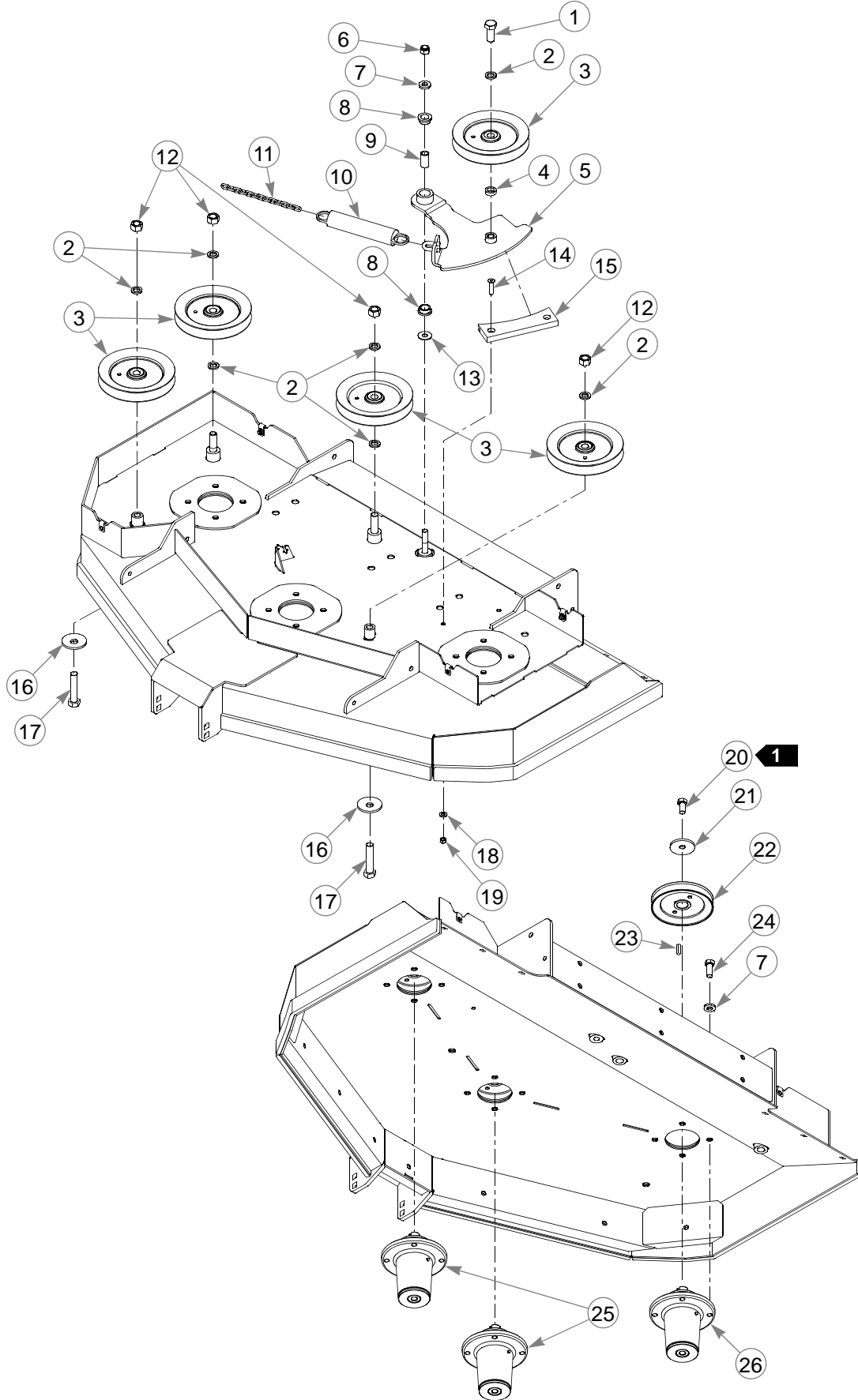


54" Rear Discharge Service Deck

INDEX NO.	PART NO.	QTY.	DESCRIPTION
1	550934	1	54" RD DECK (WITH DECALS & HARDWARE)
2	601069	4	CN .312-18 X .20 MAX THK
3	601892	2	THROWN OBJECTS DECAL
4	603391	2	RUBBER FLAP DECAL
5	796953	1	RD DECK ROUTING DECAL
6	601837	2	DECK DANGERS DECAL
7	799171	1	54" DECK ID DECAL

NOTES:

54" Rear Discharge Deck Pulleys & Spindles



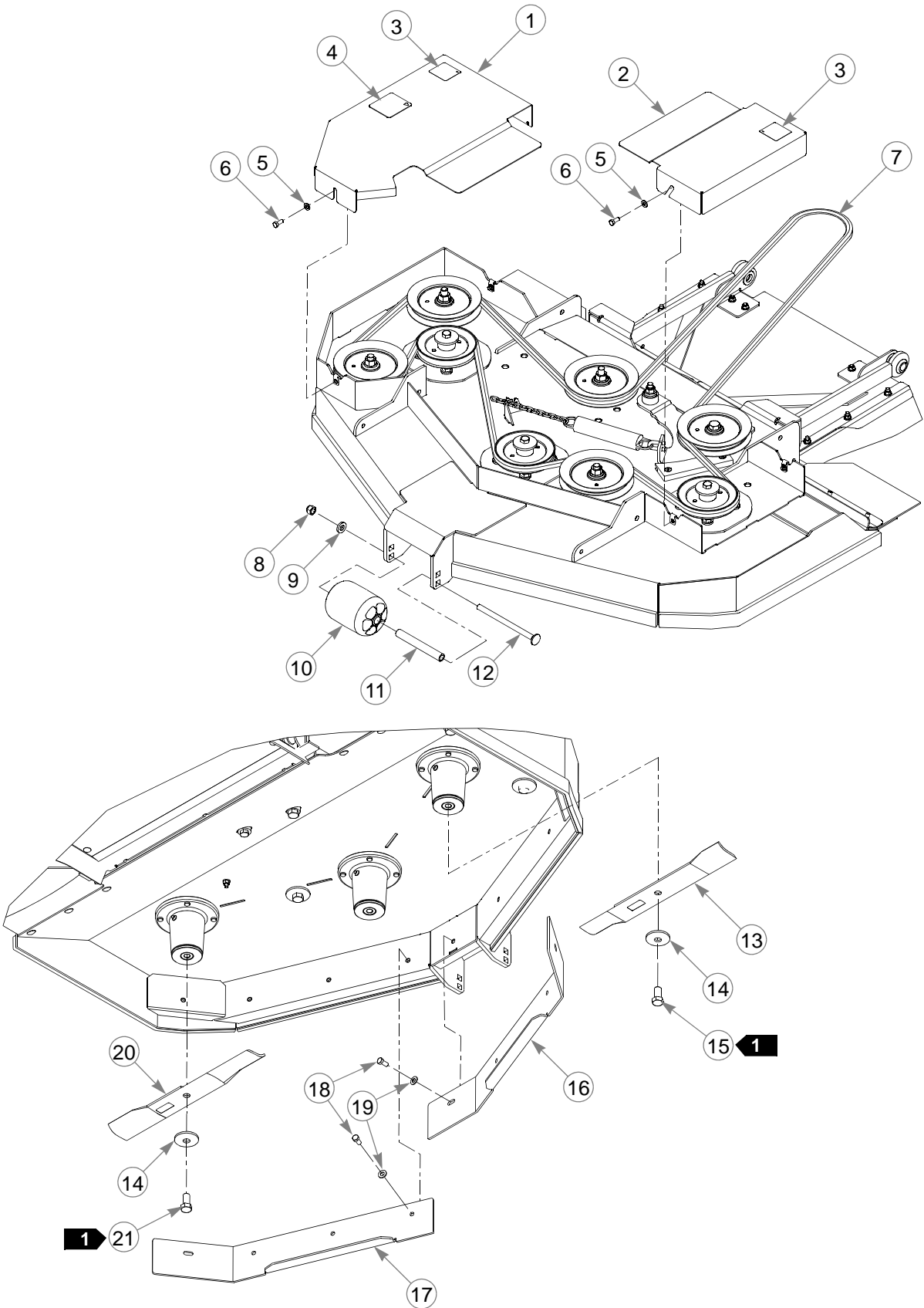
54" Rear Discharge Deck Pulleys & Spindles

INDEX NO.	PART NO.	QTY.	DESCRIPTION
1	794446	1	CS .625-11 X 1.50 HX G5
2	028118	7	FW .625 X 1.00 X .134 ZNYC
3	796714	5	6" HB IDLER PULLEY
4	600296	1	DECK IDLER SPACER
5	109948	1	IDLER ARM
6	781567	1	NT .500-13 HX G8 ZY NL
7	767962	13	FW .531 X 1.063 X .090 SAE
8	770867	2	BUSHING
9	109549	1	BUSHING
10	781302	1	TENSION SPRING
11	259812	1	CHAIN
12	016972	4	NT .625-11 HX G5 ZNYC
13	704759	1	FW .500 X 1.25 X .075 ZNY
14	797910	2	CS .312-18 X 1.50 FLT SH ZY
15	601779	1	IDLER GUIDE
16	782474	2	CW .631 X 2.25 X .187 PNT
17	783738	2	CS .625-11 X 3.00 FULL HX G5
18	768523	1	FW .343 X .687 X .051/.080H
19	058776	1	NT .312-18 HX ZY NL
20	016527	3	CS .500-13 X 1.00 HX G5 ZN
21	752386	3	CW .515 X 2.25 X .204 BLK
22	798967	3	B-SEC 5.44 EOD PULLEY
23	212472	3	KEY 1/4 SQ X 1.00
24	705954	12	CS .500-13 X 1.25 HX G5 ZN
25	604255	3	BLADE SPINDLE CW
26	604256	1	BLADE SPINDLE CCW

NOTES:

1. Torque to 90–102 N-m.

54" Rear Discharge Deck



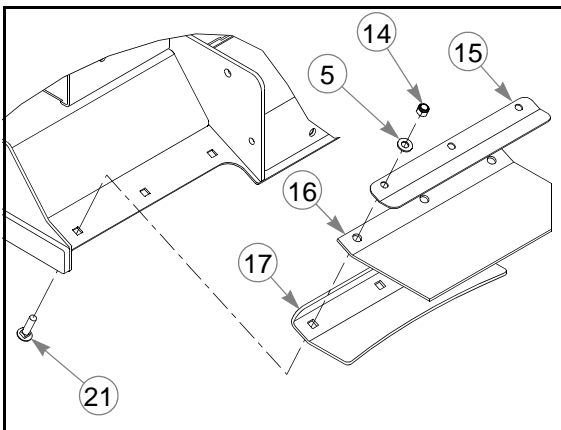
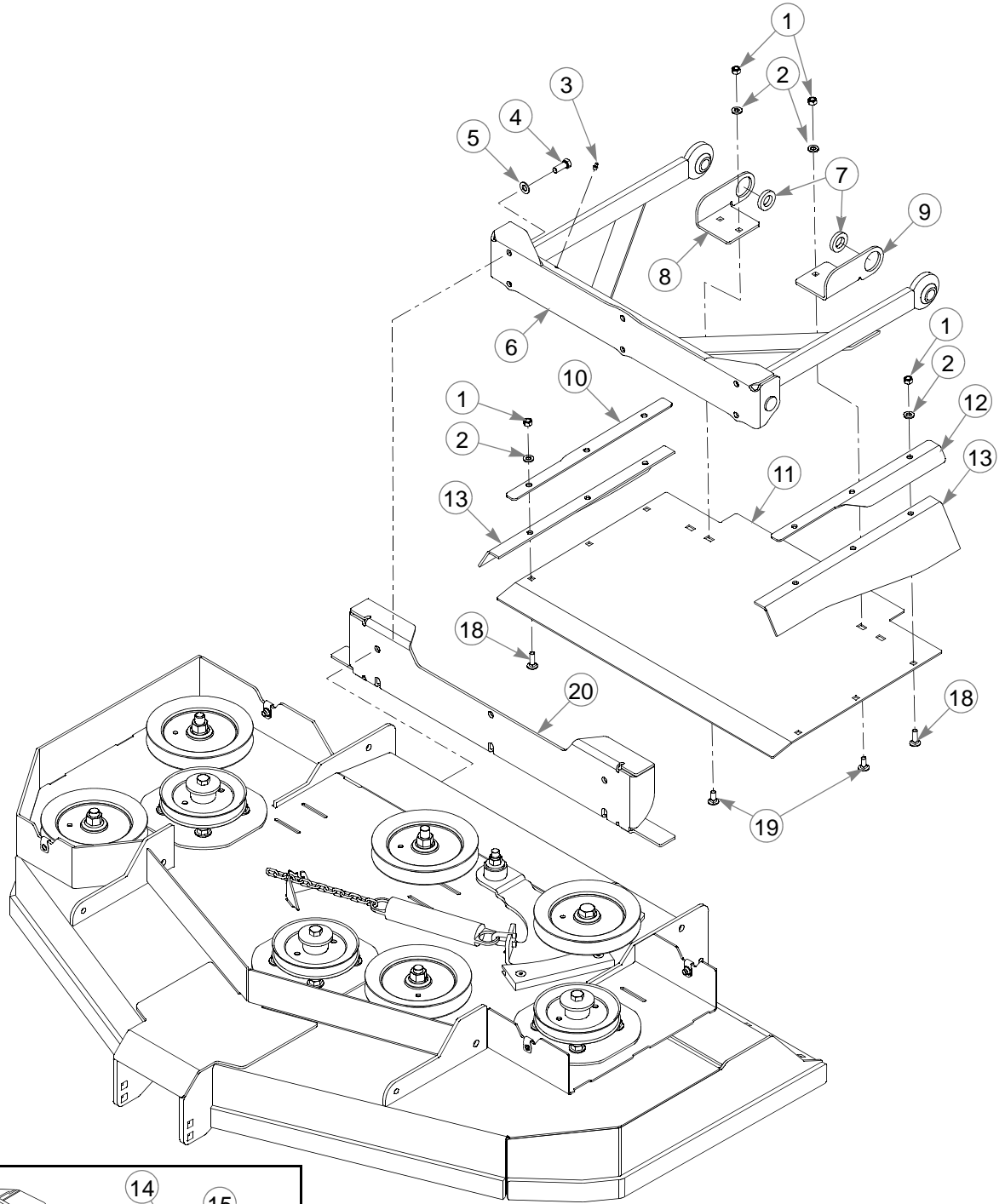
54" Rear Discharge Deck

INDEX NO.	PART NO.	QTY.	DESCRIPTION
1	550914	1	RS PULLEY COVER (WITH DECALS)
2	550915	1	LS PULLEY COVER (WITH DECALS)
3	602562	2	NO SERVICE DECAL
4	601837	1	DECK DANGERS DECAL
5	768523	4	FW .343 X .687 X .051/.080H
6	034280	4	CS .312-18 X .75 HX G5
7	601015	1	BELT, BB 204.5" EL
8	781567	1	NT .500-13 HX G8 ZY NL
9	767962	1	FW .531 X 1.063 X .090 SAE
10	602341	1	PLASTIC WHEEL
11	602344	1	SPACER 5.73
12	602338	1	CB .500-13 X 7.50 STD ZN
13	601013	1	BLADE, F18.50-L-F-CCW
14	782474	3	CW .631 X 2.25 X .187 PNT
15	604383	1	CS .625-11 X 1.25 HX G5 LH THREAD
16	114015	1	RS ADJUSTABLE BAFFLE
17	114016	1	LS ADJUSTABLE BAFFLE
18	055822	8	CS .375-16 X .75 HX G5
19	767954	8	FW .406 X .812 X .060 SAE
20	601012	2	BLADE, F18.50"-L-F-CW
21	781872	2	CS .625-11 X 1.25 HX G5 Z

NOTES:

1. Torque to 160 N-m.

54" Rear Discharge Deck Dust Shield

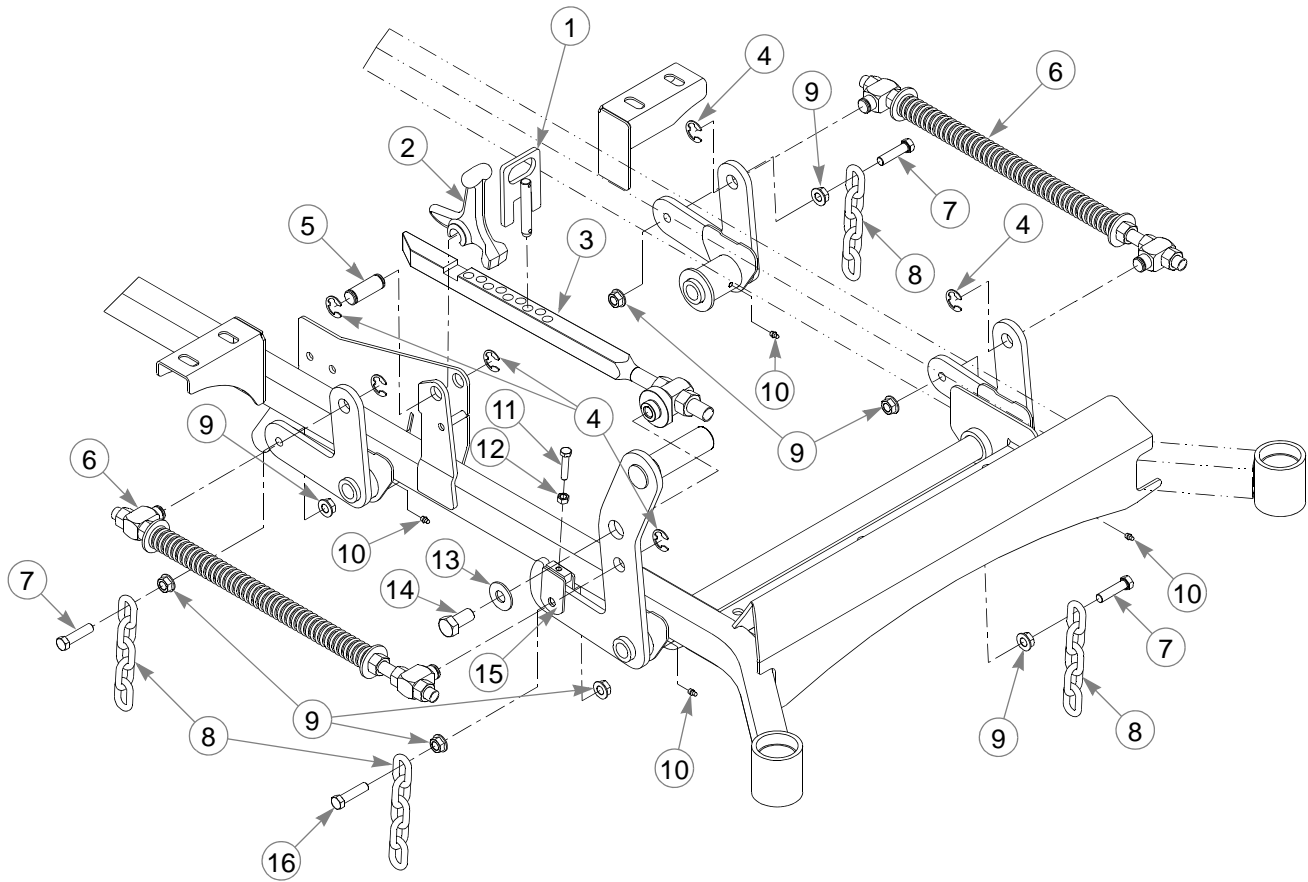


54" Rear Discharge Deck Dust Shield

INDEX NO.	PART NO.	QTY.	DESCRIPTION
1	058776	10	NT .312-18 HX ZY NL
2	768523	10	FW .343 X .687 X .051/.080H
3	015495	2	GREASE FITTING STRAIGHT
4	036244	6	CS .375-16 X 1.00 HX G5
5	767954	12	FW .406 X .812 X .060 SAE
6	113340	1	PUSHER
7	778399	2	FW .781 X 1.375 X .250 ZNY
8	109482	1	RS CHUTE BRACKET
9	109483	1	LS CHUTE BRACKET
10	109487	1	RS CLAMP ANGLE
11	113980	1	DISCHARGE SHIELD
12	109486	1	LS CLAMP ANGLE
13	601483	2	RUBBER SIDE FLAP
14	086660	6	NT .375-16 HX ZY NL
15	107972	2	RD DISCHARGE FLAP ANGLE
16	601017	2	RD RUBBER DISCHARGE CHUTE
17	107973	2	DECK STIFFENER ANGLE
18	037887	6	CB .312-18 X 1.00 FULL ZN
19	016253	4	CB .312-18 X .75 FUL ZN
20	114522	1	REAR DECK STOP
21	710194	6	CB .375-16 X 1.50 STD G5

NOTES:

Rear Discharge Deck Lift

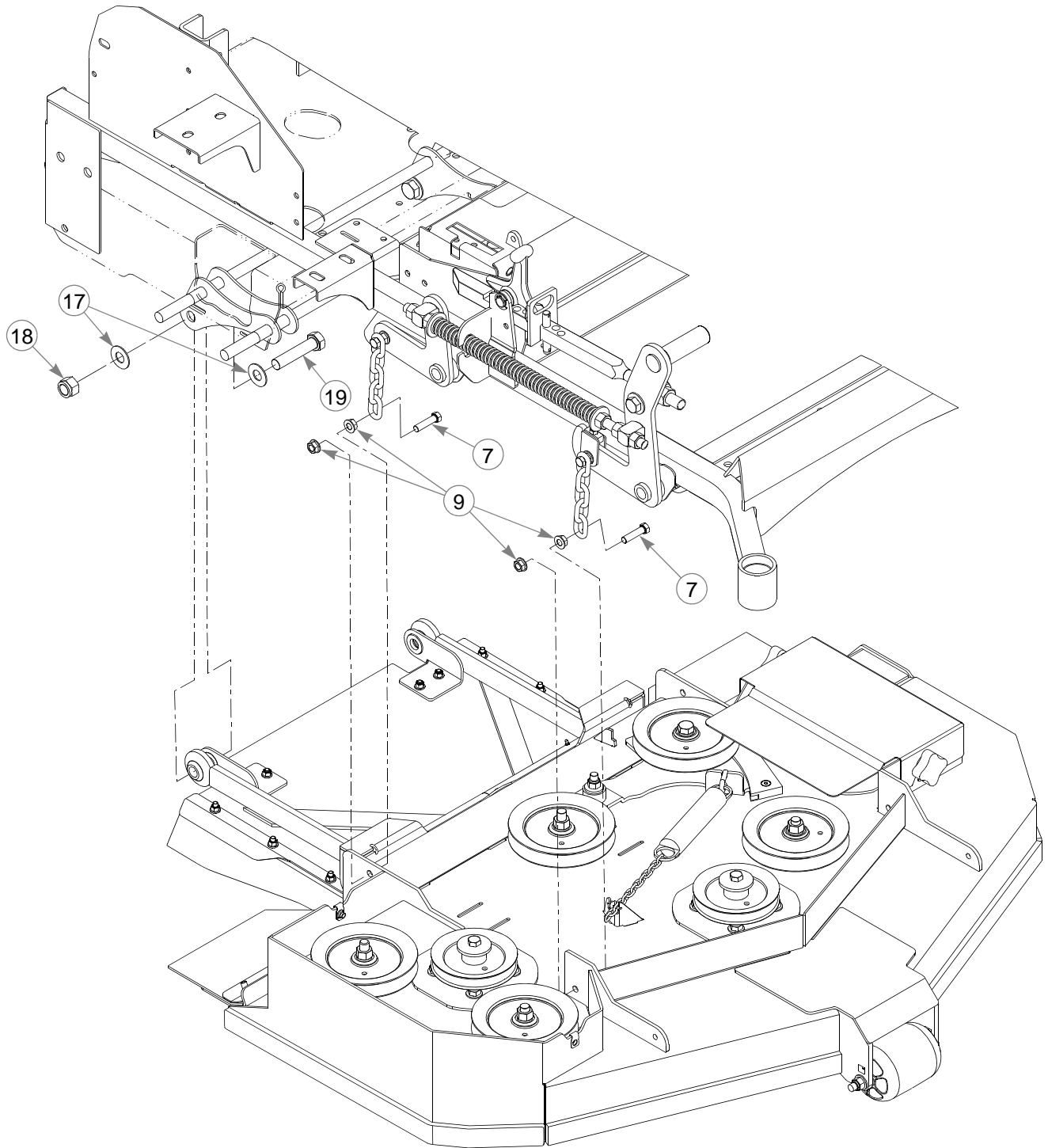


Rear Discharge Deck Lift

INDEX NO.	PART NO.	QTY.	DESCRIPTION
1	600437	1	DECK HEIGHT PIN
2	348318	1	STOP HANDLE
3	602898	1	DECK LIFT INDICATOR
4	781294	6	E CLIP 1.00 X .625 X .05
5	781229	1	CE .750 X 2.25 X 1.75 HEAD
6	782995	2	DECK LIFT SPRING
7	055749	7	CS .437-14 X 1.75 HX G5
8	348391	4	DECK LIFT CHAIN
9	704643	16	NT .437-14 HX FLG ZN
10	015495	4	GREASE FITTING STRAIGHT
11	756270	1	CS .312-18 X 1.50 FLTHR HX
12	034272	1	NT .312-18 HX G5 ZNYC
13	704783	1	FW .625 X 1.50 X .105 ZN
14	781872	1	CS .625-11 X 1.25 HX G5 Z
15	348458	1	DECK LEVELER YOKE
16	781831	1	CS .437-14 X 1.75 FULTH

NOTES:

Rear Discharge Deck Mounting Hardware



Rear Discharge Deck Mounting Hardware

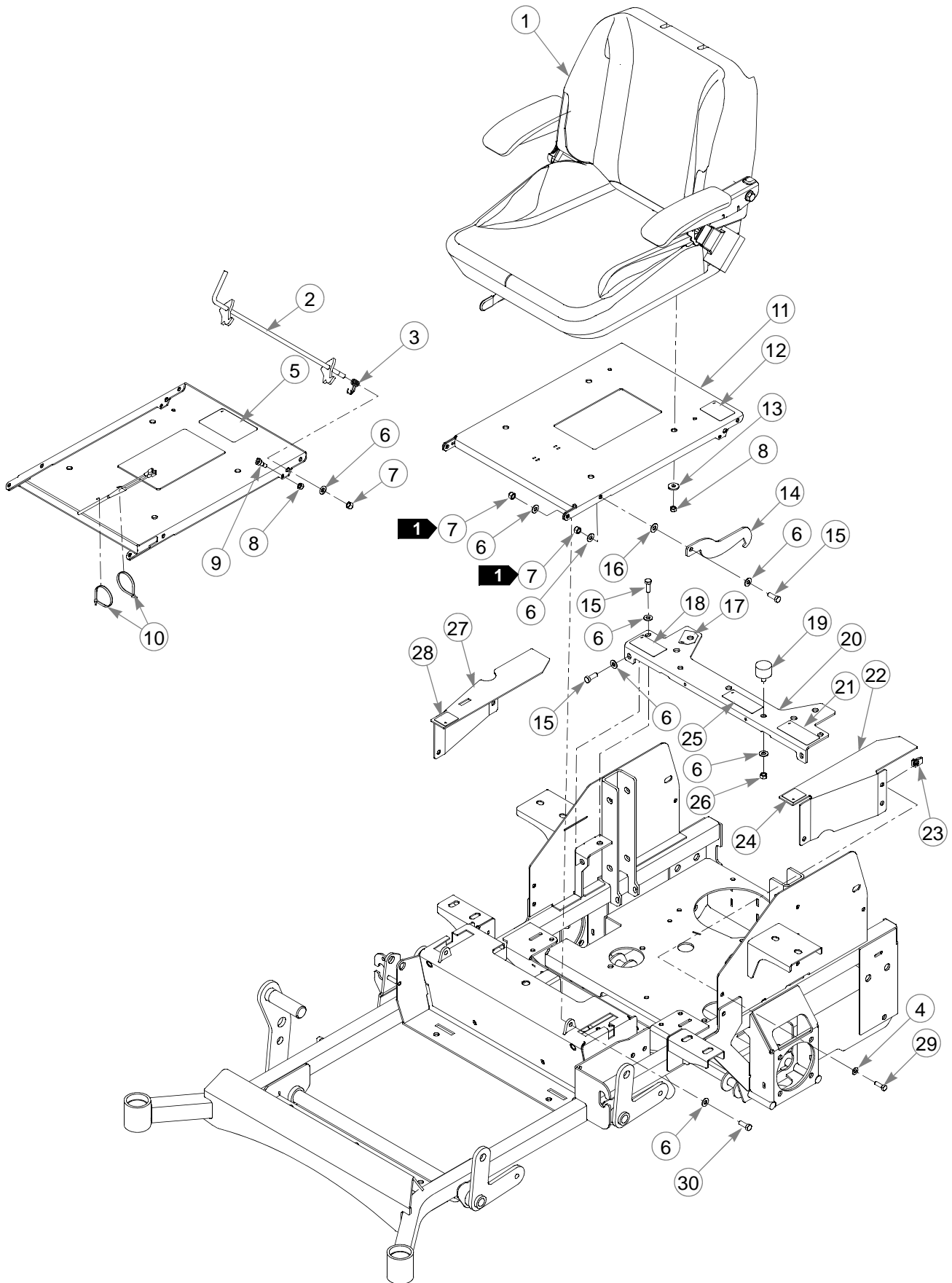
INDEX NO.	PART NO.	QTY.	DESCRIPTION
17	025296	4	FW .760 X 1.625 X .08 ZNYC
18	061101	2	NT .750-10 HX ZY NL
19	789115	2	CS .750-10 X 3.50 HX G5

NOTES:

Section 8

Seat	8-2
Seat Service Parts	8-4
ROPS	8-6

Seat



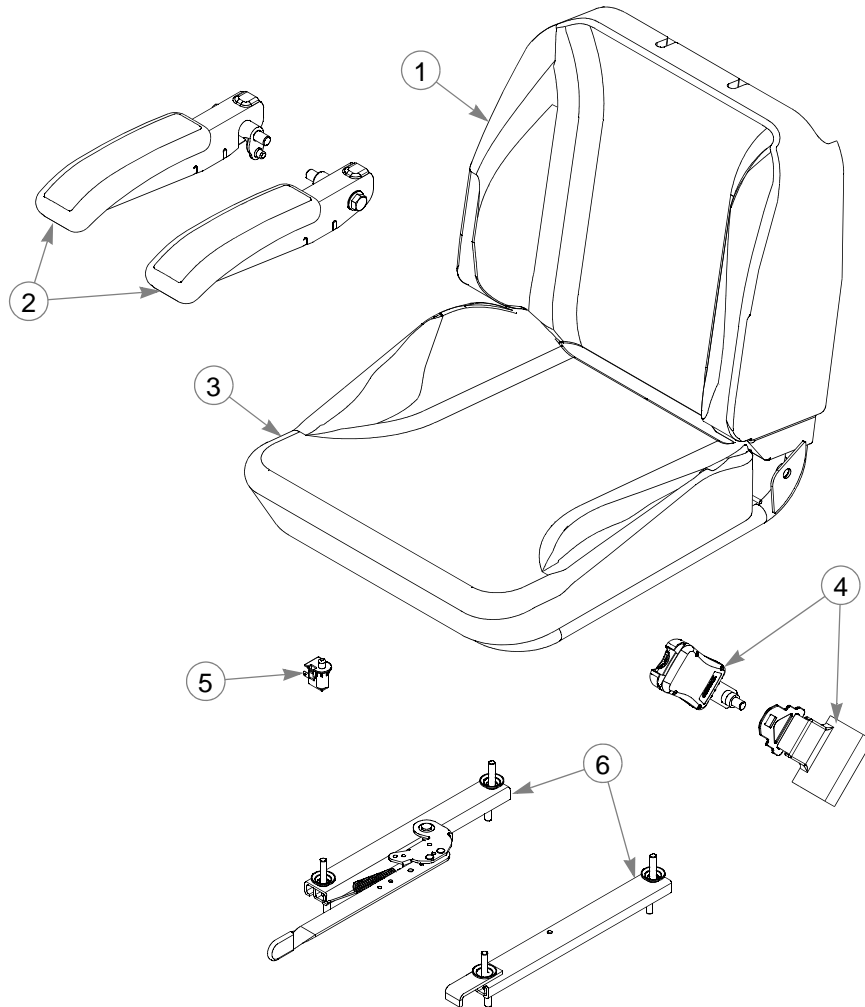
Seat

INDEX NO.	PART NO.	QTY.	DESCRIPTION
1	602967	1	SEAT
2	113393	1	SEAT LATCH
3	783910	1	TORSION SPRING
4	768523	5	FW .343 X .687 X .051/.080H
5	601815	1	BATTERY WARNINGS DECAL
6	767954	13	FW .406 X .812 X .060 SAE
7	086660	4	NT .375-16 HX ZY NL
8	058776	5	NT .312-18 HX ZY NL
9	754358	1	SB .375 X .375 SH .312-18
10	000331	2	WIRE TIE
11	550741	1	SEAT PAN (WITH DECALS)
12	785188	1	ARMREST WARNING DECAL
13	712927	4	FW .344 X 1.00 X .12 HRD Z
14	350421	1	SEAT PAN STOP
15	036244	5	CS .375-16 X 1.00 HX G5
16	724716	1	FIBER WASHER
17	791848	1	FUEL INDICATOR DECAL
18	601968	1	HYDRAULIC PRESSURE DECAL
19	601650	2	VIBRATION MOUNT
20	550742	1	SEAT SUPPORT ANGLE (WITH DECALS)
21	601967	1	ENGINE COMPARTMENT DECAL
22	550766	1	LS FRAME COVER (WITH DECAL)
23	601069	5	CN .312-18 X .20 MAX THK
24	785139	1	LS STEERING DECAL
25	779280	1	HOT & HYD OIL DECAL
26	054502	2	NT .375-16 HX G5 ZNY
27	550765	1	RS FRAME COVER (WITH DECAL)
28	785220	1	RS STEERING DECAL
29	036236	5	CS .312-18 X 1.00 HX G5
30	016253	2	CB .312-18X .75 FUL ZN
31	113713	1	SEAT STOP

NOTES:

1. Do not torque; the seat pan & seat pan stop must pivot freely.

Seat Service Parts

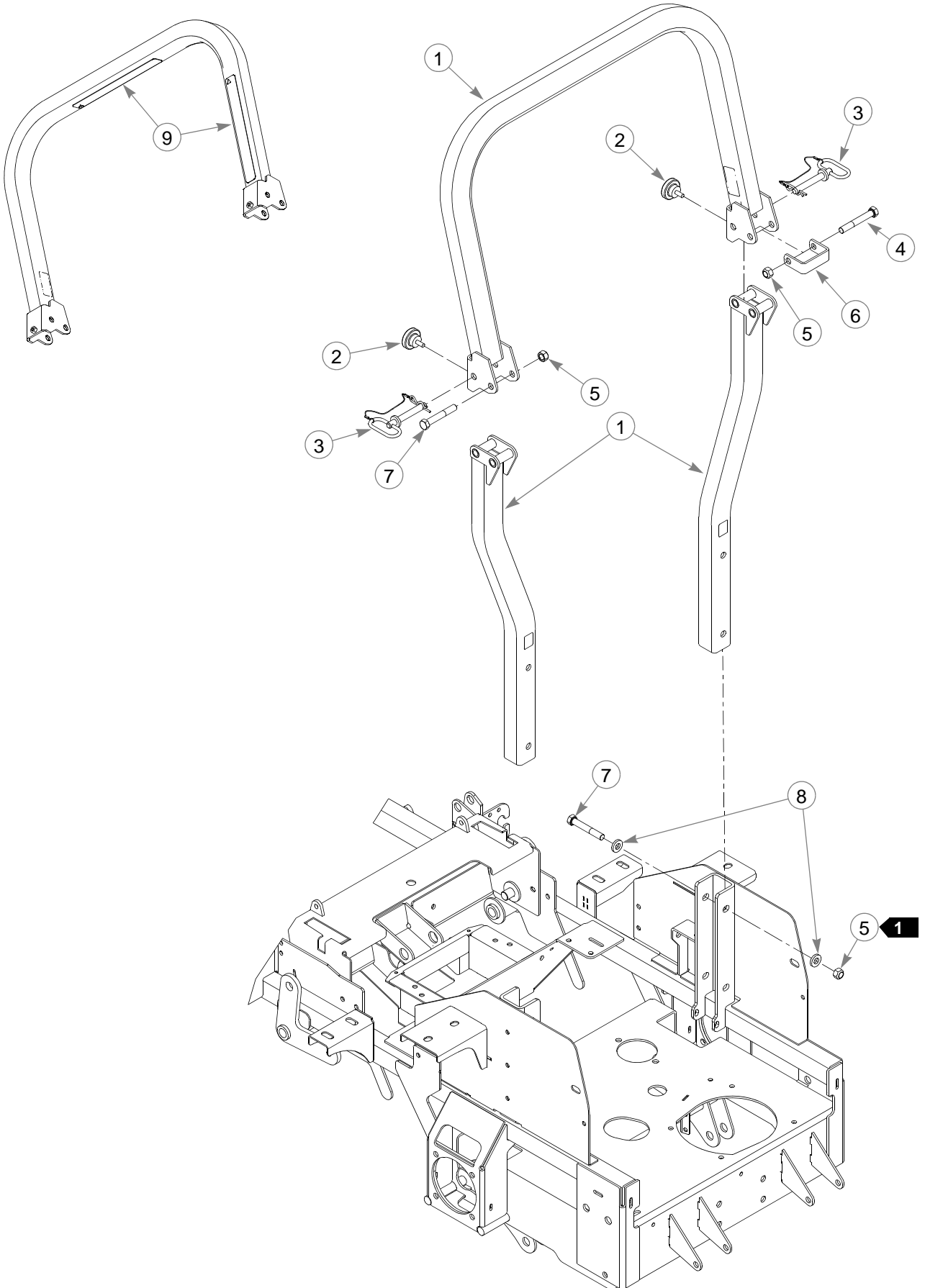


INDEX NO.	PART NO.	QTY.	DESCRIPTION
1	603694	1	BACK SEAT COVER
2	603260	1	ARMREST KIT
3	603693	1	BOTTOM SEAT COVER
4	603133	1	SEAT BELT KIT
5	603148	1	SEAT SWITCH
6	603146	1	STANDARD SEAT TRACK KIT

NOTES:

This page intentionally left blank.

ROPS



ROPS

INDEX NO.	PART NO.	QTY.	DESCRIPTION
1	603280	1	ROPS KIT (WITH DECALS, HARDWARE & SEATBELT)
2	601470	2	HAND KNOB
3	601471	2	LYNCH PIN W/ LANYARD
4	061812	1	CS .500-13 X 3.50 HX G5
5	023317	6	NT .500-13 UNT LK G8 ZN
6	603099	1	ROPS STOP
7	077859	5	CS .500-13 X 3.25 HX G5
8	767962	8	FW .531 X 1.063 X .090 SAE
9	601635	2	ROPS DECAL

NOTES:

1. Torque to 99 N-m.

